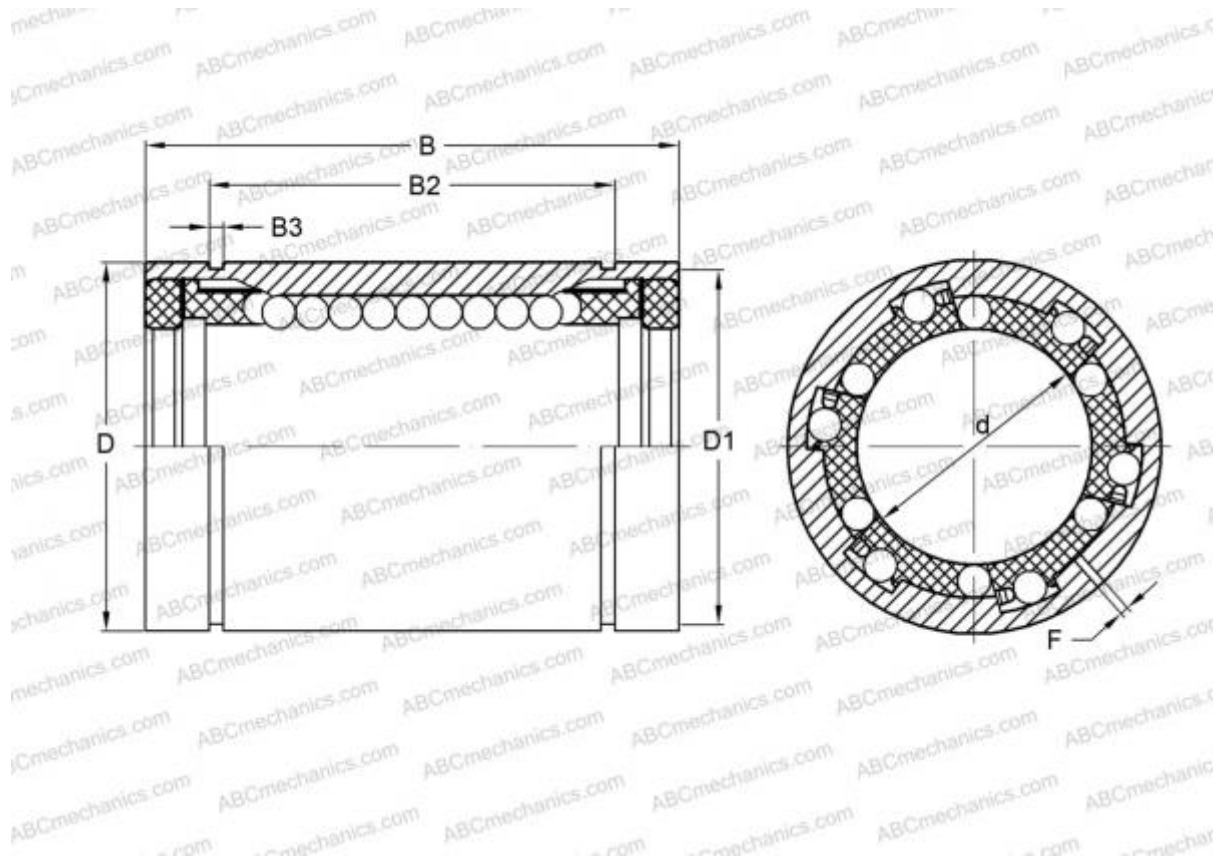


LME 122232 UU AJ ABC

Linear bushing

TYPE: Shaft guidance systems, Linear bushing, Standard, Adjustable type, Type LME..(N) UU AJ, sealed on both sides



Technical specification

DIMENSIONS, MM

d	12,000
D	22,000
B	32,000
f	1,500

WEIGHT, KG 0,045

MANUFACTURER [ABC](#)

INTERCHANGE

IKO	LME 122232 UU AJ
STAR	0612-012-10
THOMSON	0612-012-10