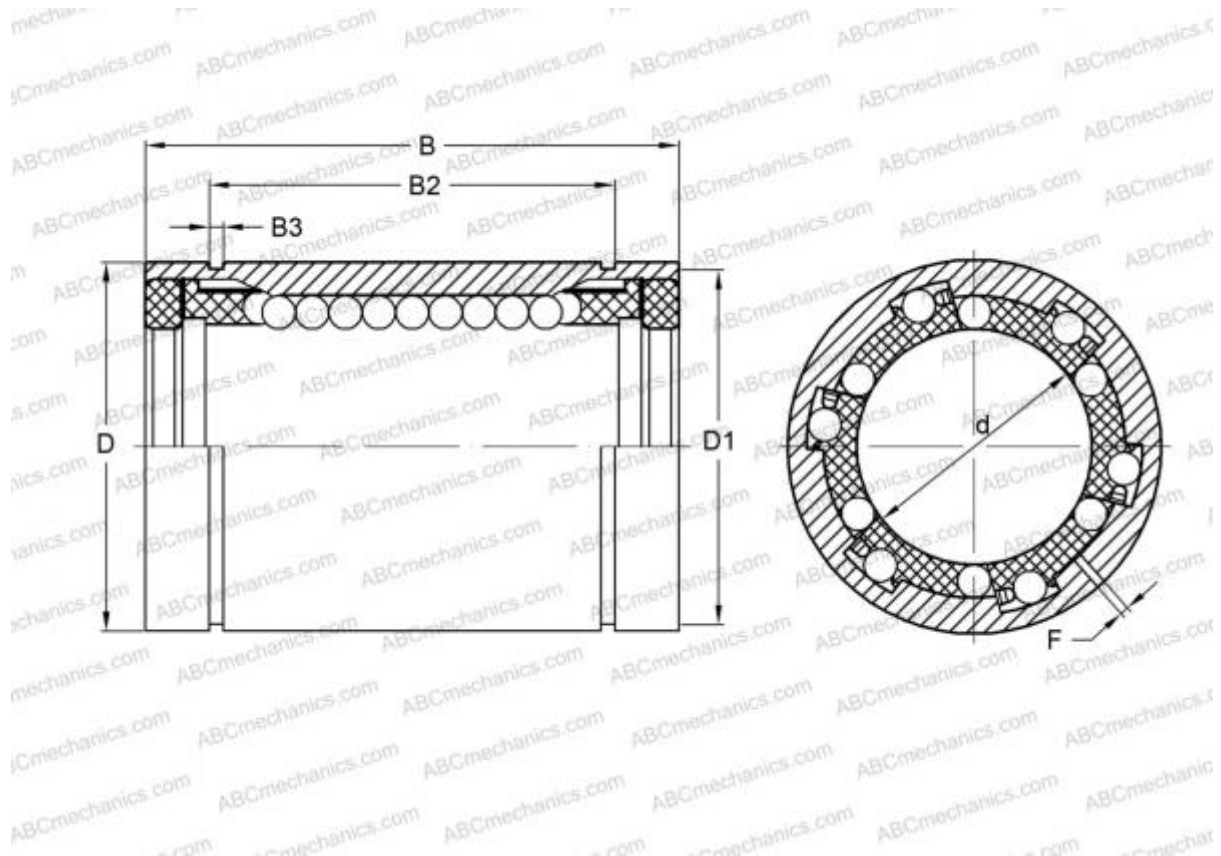


## 0612-012-10 STAR

Linear bushing

TYPE: Shaft guidance systems, Linear bushing, Standard, Adjustable type, Type LME..(N) UU AJ, sealed on both sides



### Technical specification

#### DIMENSIONS, MM

d	12,000
D	22,000
B	32,000
f	1,500

**WEIGHT, KG** 0,045

**MANUFACTURER** [STAR](#)

#### INTERCHANGE

ABC	<a href="#">LME 122232 UU AJ</a>
IKO	<a href="#">LME 122232 UU AJ</a>
THOMSON	<a href="#">0612-012-10</a>