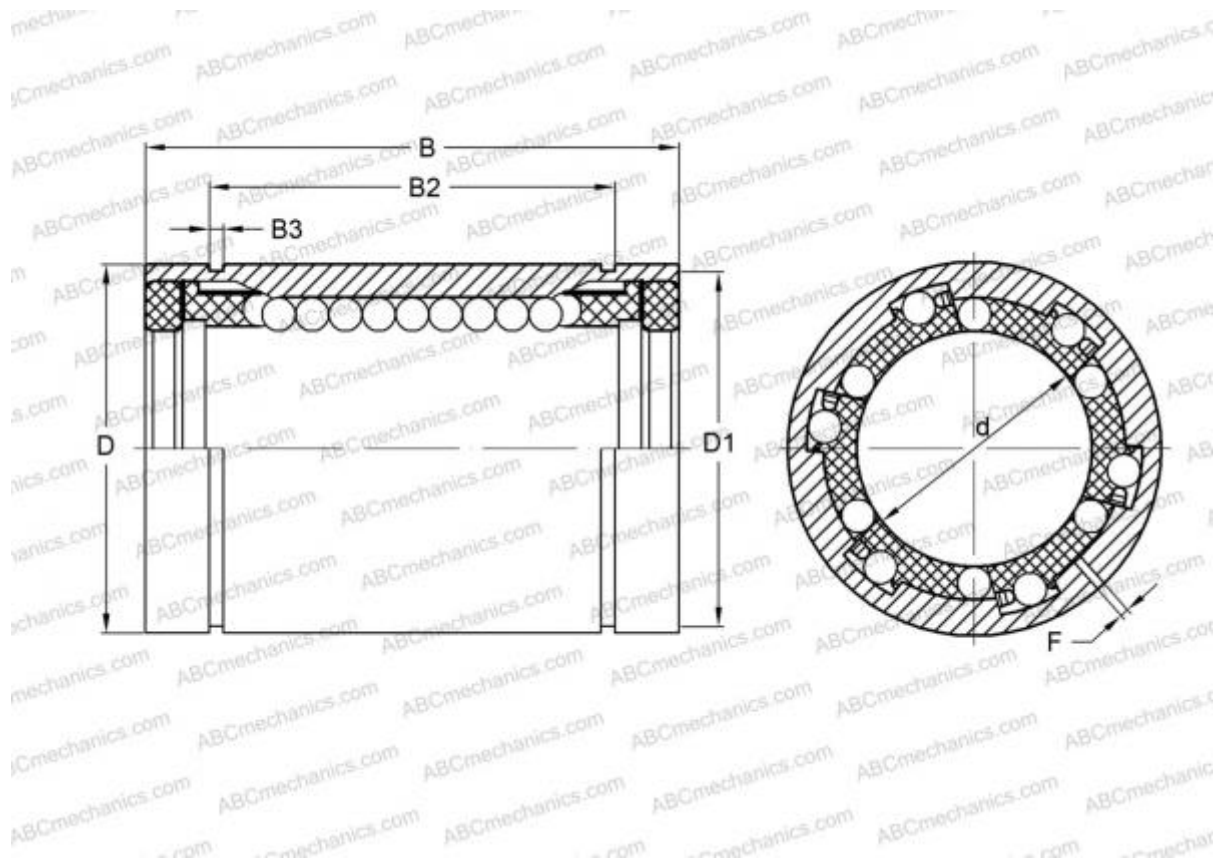


LME 162636 UU AJ IKO

Linear bushing

TYPE: Shaft guidance systems, Linear bushing, Standard, Adjustable type, Type LME..(N) UU AJ, sealed on both sides



Technical specification

DIMENSIONS, MM

d	16,000
D	26,000
B	36,000
f	1,500

WEIGHT, KG 0,058

MANUFACTURER [IKO](#)

INTERCHANGE

ABC	LME 162636 UU AJ
STAR	0612-016-10
THOMSON	0612-016-10

CALCULATION DATA

Basic dynamic load rating min	0,283 kN
Basic dynamic load rating max	0,325 kN

CALCULATION DATA

Basic static load rating min	0,514 kN
Basic static load rating max	0,726 kN