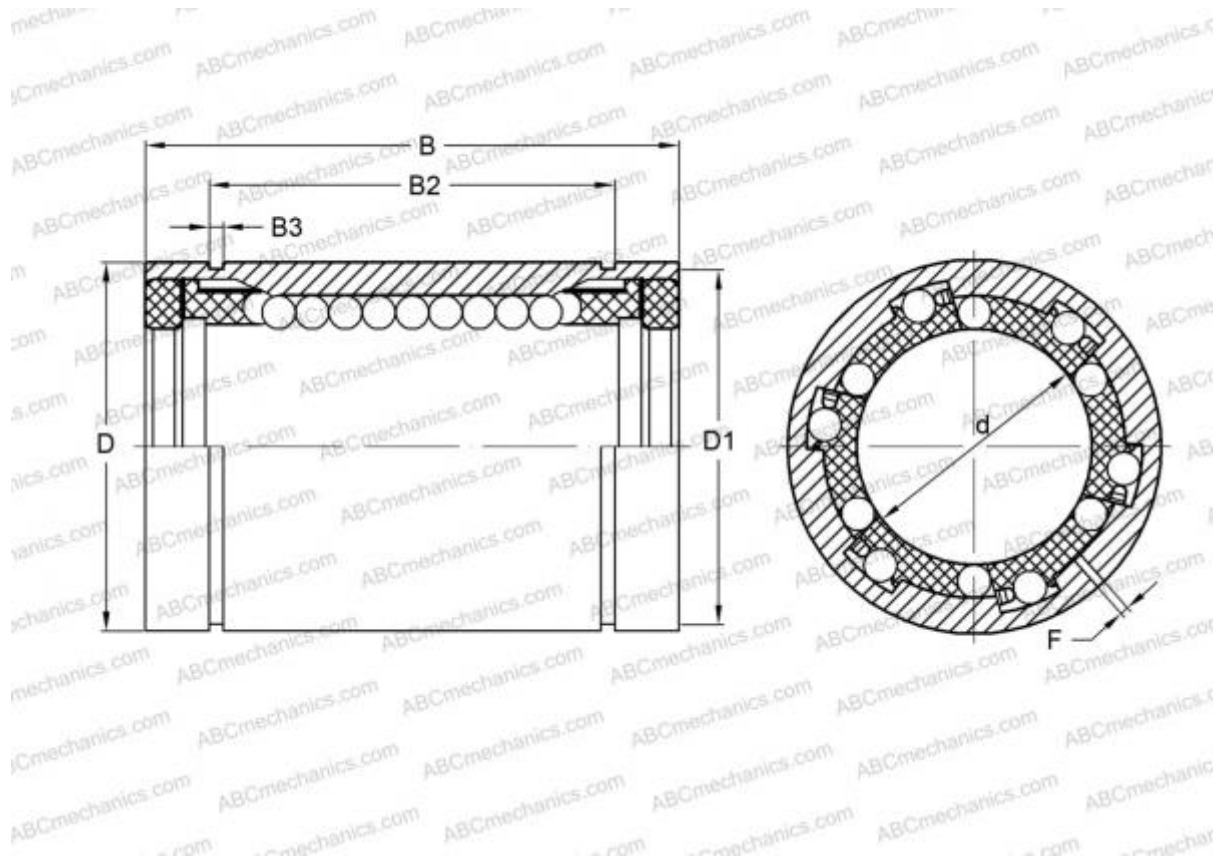


0612-016-10 STAR

Linear bushing

TYPE: Shaft guidance systems, Linear bushing, Standard, Adjustable type, Type LME..(N) UU AJ, sealed on both sides



Technical specification

DIMENSIONS, MM

d	16,000
D	26,000
B	36,000
f	1,500

WEIGHT, KG 0,058

MANUFACTURER [STAR](#)

INTERCHANGE

ABC	LME 162636 UU AJ
IKO	LME 162636 UU AJ
THOMSON	0612-016-10