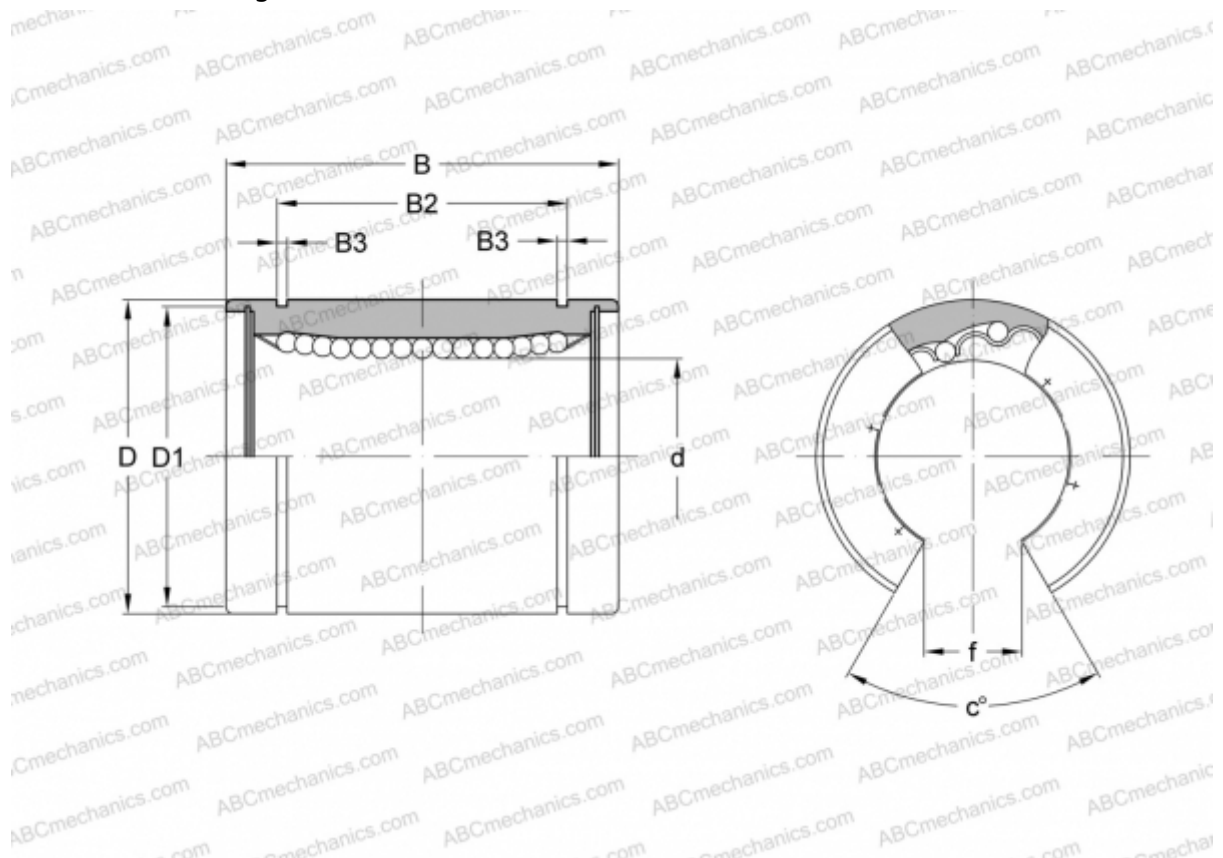


## SM 60G-OP NB

Linear bushing

TYPE: Shaft guidance systems, Linear bushing, Standard, Open type for support rail, Type SM..OP, Asian standard, Plastic cage (NB)



### Technical specification

#### DIMENSIONS, MM

d	60,000
D	90,000
B	110,000
D1	86,500
B2	85,000
B3	3,150
f	30,000
c	50

**WEIGHT, KG** 1,650

**MANUFACTURER** [NB](#)