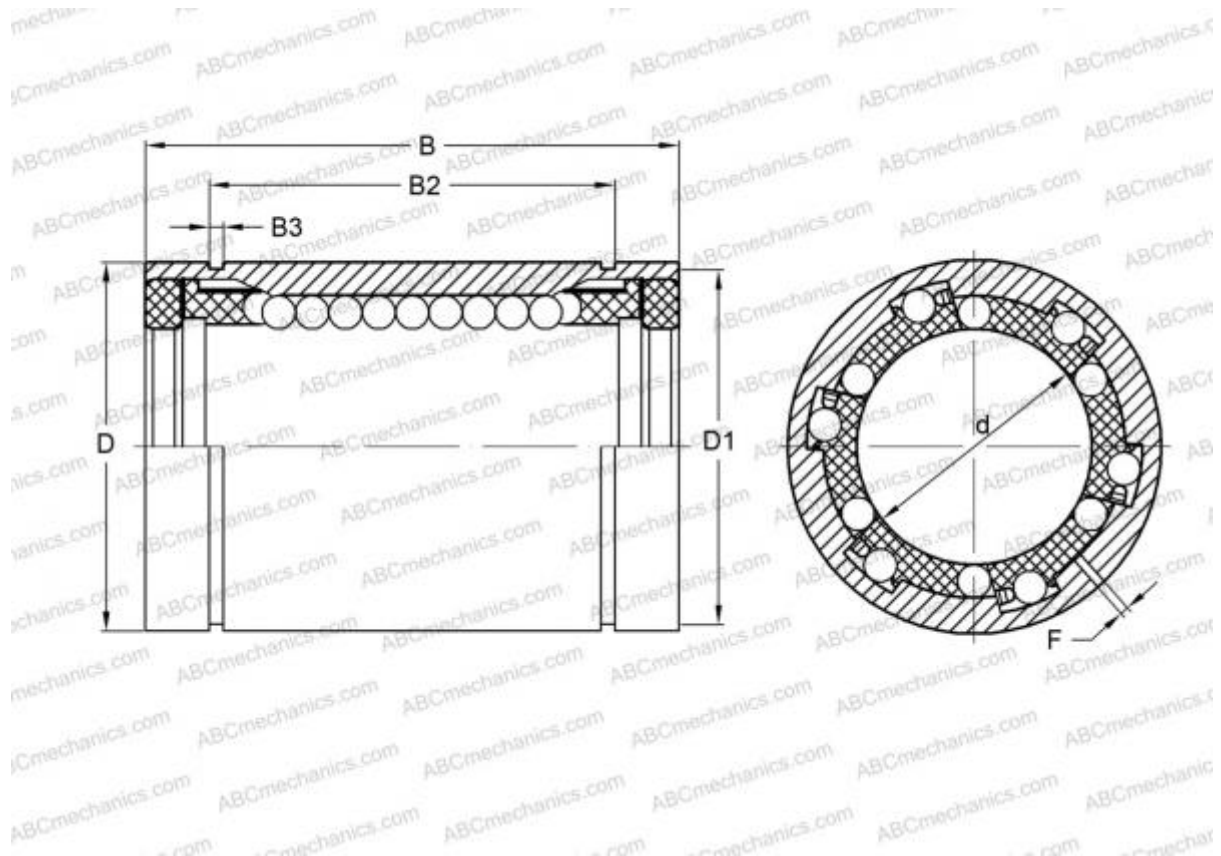


LAG 30X47X68.2RS FAG

Linear bushing

TYPE: Shaft guidance systems, Linear bushing, Standard, Adjustable type, Type LME..(N) UU AJ, sealed on both sides



Technical specification

DIMENSIONS, MM

d	30,000
D	47,000
B	68,000
f	2,000

WEIGHT, KG 0,320

MANUFACTURER [FAG](#)

INTERCHANGE

ABC	LME 304768 N UU AJ
IKO	LME 304768 N UU AJ
INA	KBS 3068 PP