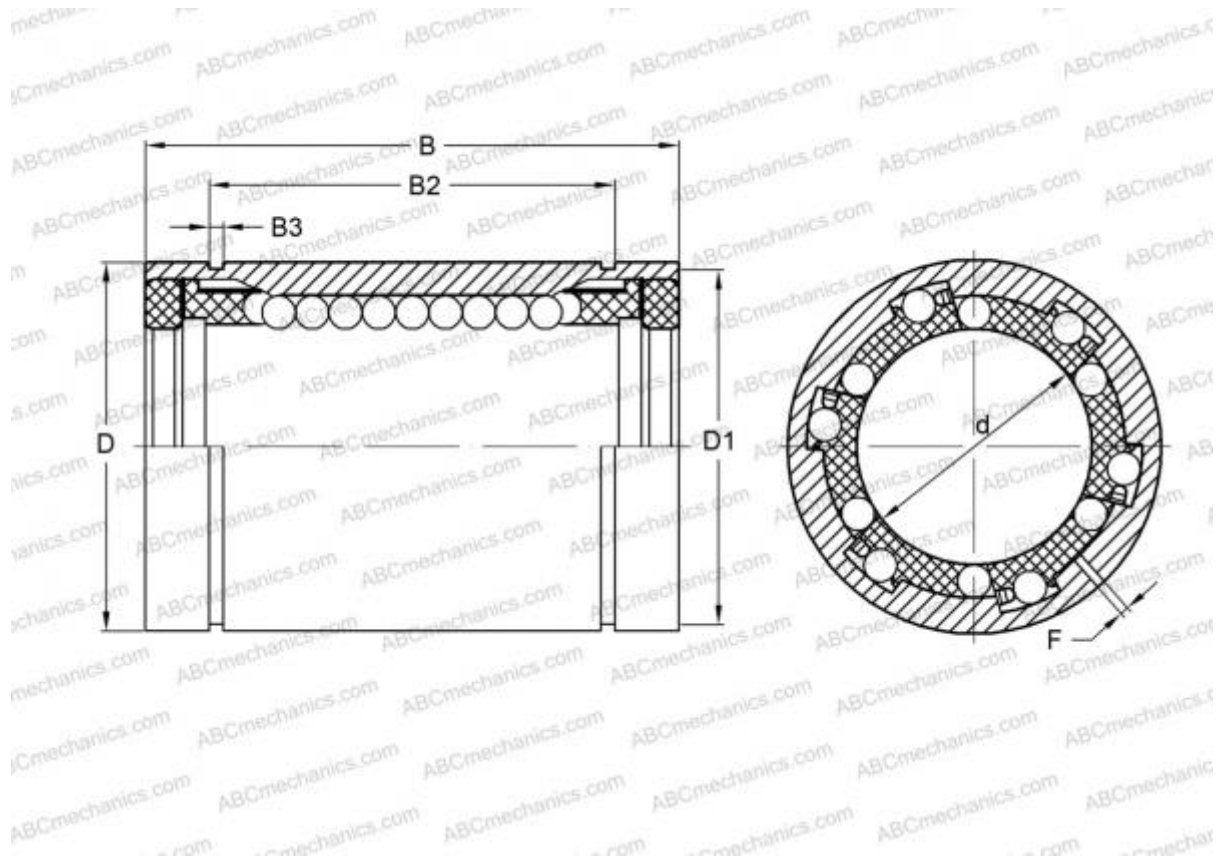


LME 406280 N UU AJ ABC

Linear bushing

TYPE: Shaft guidance systems, Linear bushing, Standard, Adjustable type, Type LME..(N) UU AJ, sealed on both sides



Technical specification

DIMENSIONS, MM

d	40,000
D	62,000
B	80,000
f	3,000

WEIGHT, KG 0,694

MANUFACTURER [ABC](#)

INTERCHANGE

IKO	LME 406280 N UU AJ
INA	KBS 4080 PP
FAG	LAG 40X 62X 80.2RS