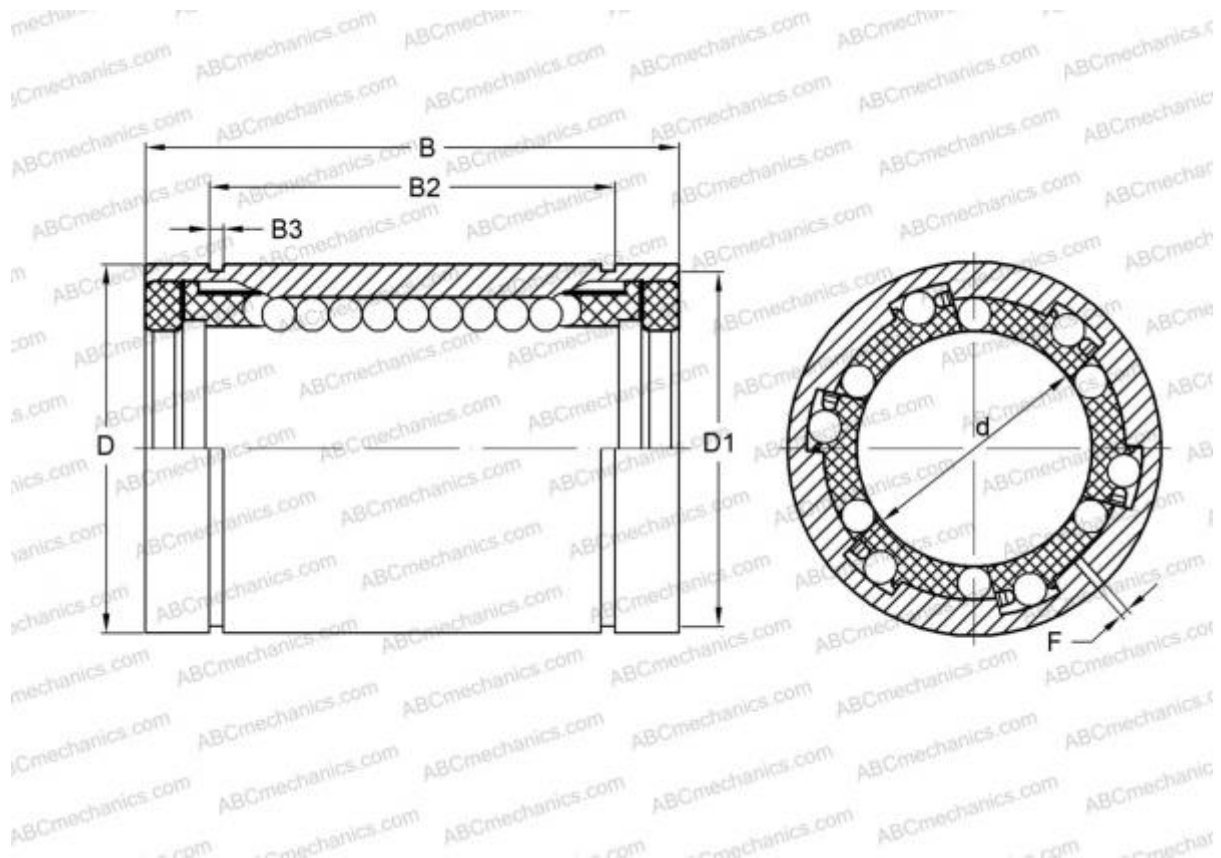


LME 6090125 N UU AJ IKO

Linear bushing

TYPE: Shaft guidance systems, Linear bushing, Standard, Adjustable type, Type LME..(N) UU AJ, sealed on both sides



Technical specification

DIMENSIONS, MM

d	60,000
D	90,000
B	125,000
f	3,000

WEIGHT, KG 2,000

MANUFACTURER [IKO](#)

INTERCHANGE

ABC	LME 6090125 N UU AJ
SKF	LBAS 60-2LS

CALCULATION DATA

Basic dynamic load rating min	4,760 kN
Basic dynamic load rating max	5,040 kN
Basic static load rating min	8,150 kN

CALCULATION DATA

Basic static load rating max	10,400 kN
------------------------------	-----------