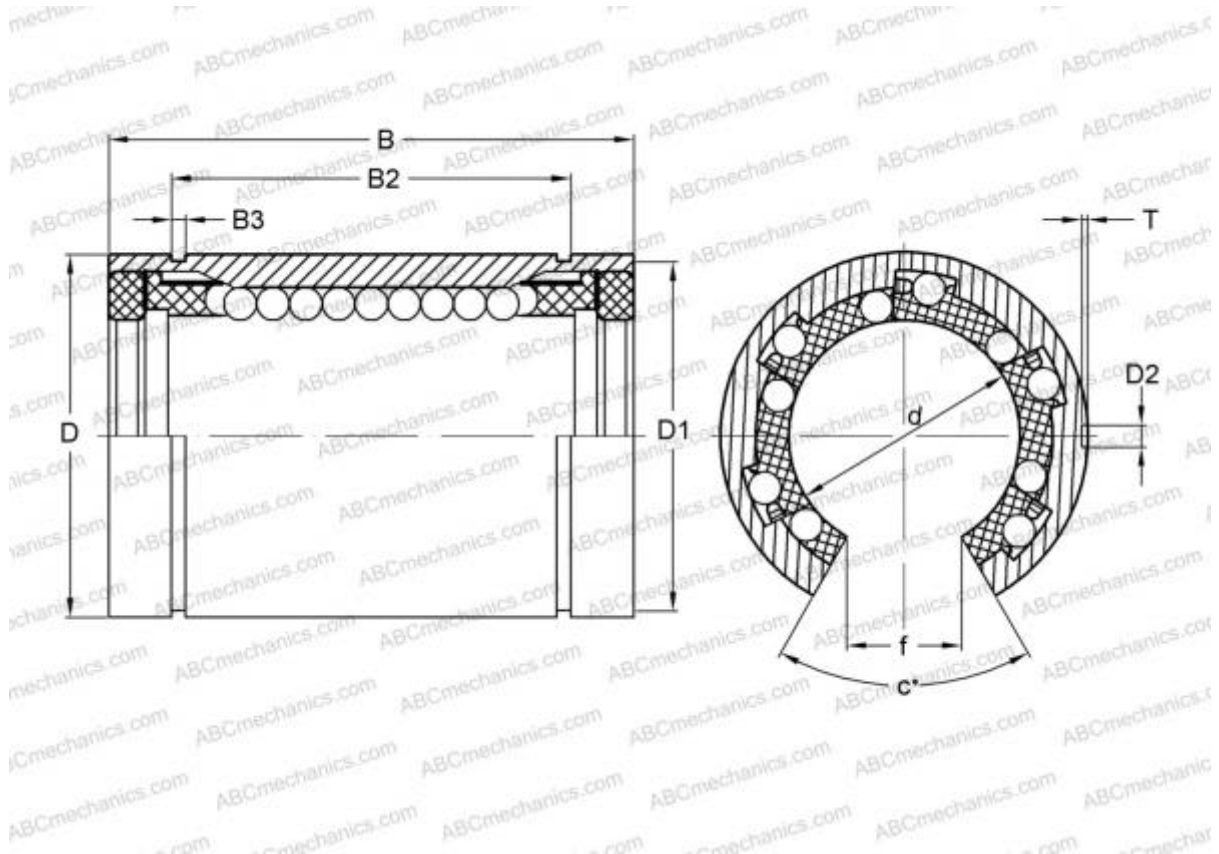


LME 122232 UU OP IKO

Linear bushing

TYPE: Shaft guidance systems, Linear bushing, Standard, Open type for support rail, Type LME..(N) UU OP, sealed on both sides



Technical specification

DIMENSIONS, MM

| | |
|---|--------|
| d | 12,000 |
| D | 22,000 |
| B | 32,000 |
| f | 7,500 |
| c | 78,000 |

WEIGHT, KG 0,035

MANUFACTURER [IKO](#)

INTERCHANGE

| | |
|---------|----------------------------------|
| ABC | LME 122232 UU OP |
| STAR | 0632-012-00 |
| THOMSON | 0632-012-00 |

CALCULATION DATA

| | |
|-------------------------------|----------|
| Basic dynamic load rating min | 0,259 kN |
|-------------------------------|----------|

CALCULATION DATA

| | |
|-------------------------------|----------|
| Basic dynamic load rating max | 0,298 kN |
| Basic static load rating min | 0,503 kN |
| Basic static load rating max | 0,711 kN |