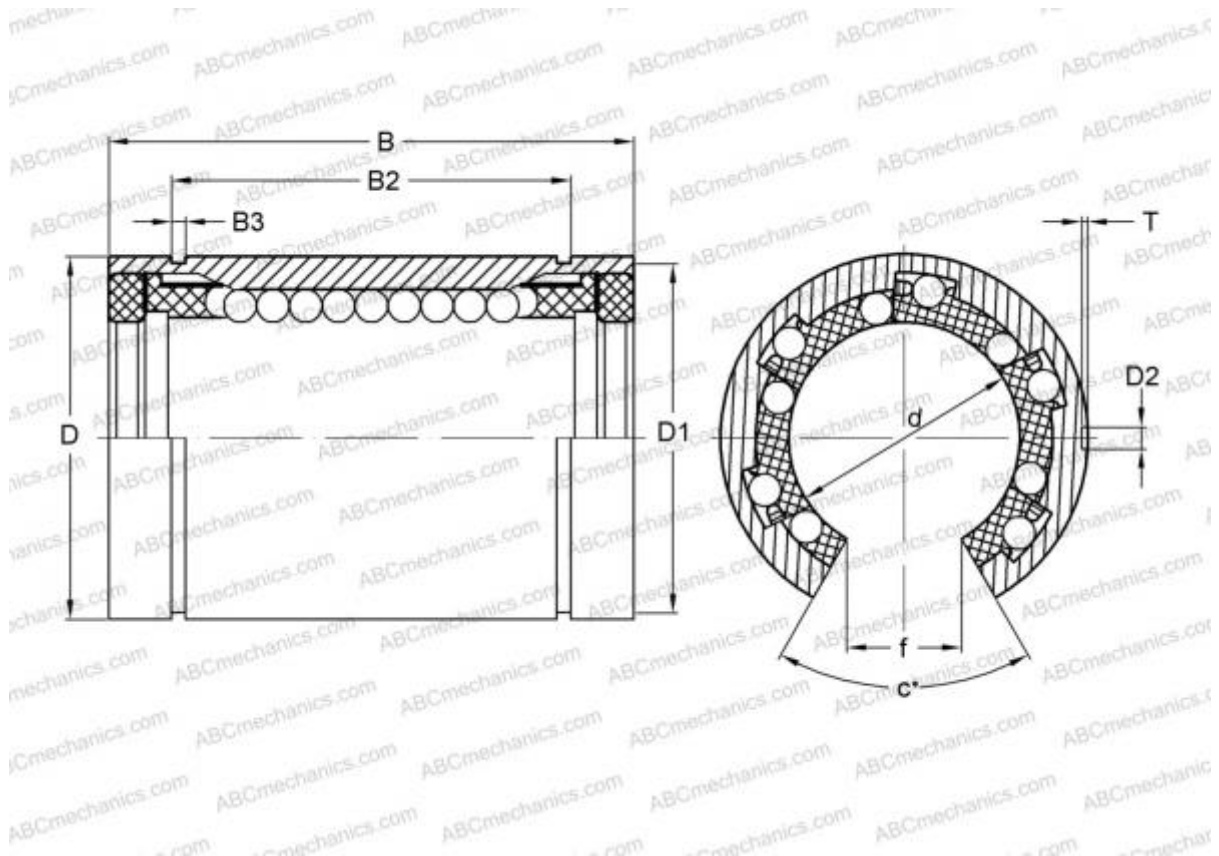


## KBO 1232 PP INA

Linear bushing

TYPE: Shaft guidance systems, Linear bushing, Standard, Open type for support rail, Type LME..(N) UU OP, sealed on both sides



### Technical specification

#### DIMENSIONS, MM

d	12,000
D	22,000
B	32,000
f	7,500
c	78

**WEIGHT, KG** 0,032

**MANUFACTURER** [INA](#)

#### INTERCHANGE

ABC	<a href="#">LME 122232 N UU OP</a>
IKO	<a href="#">LME 122232 N UU OP</a>
SKF	<a href="#">LBCT 12-2LS</a>
FAG	<a href="#">LAN 12X22X32.2RS</a>