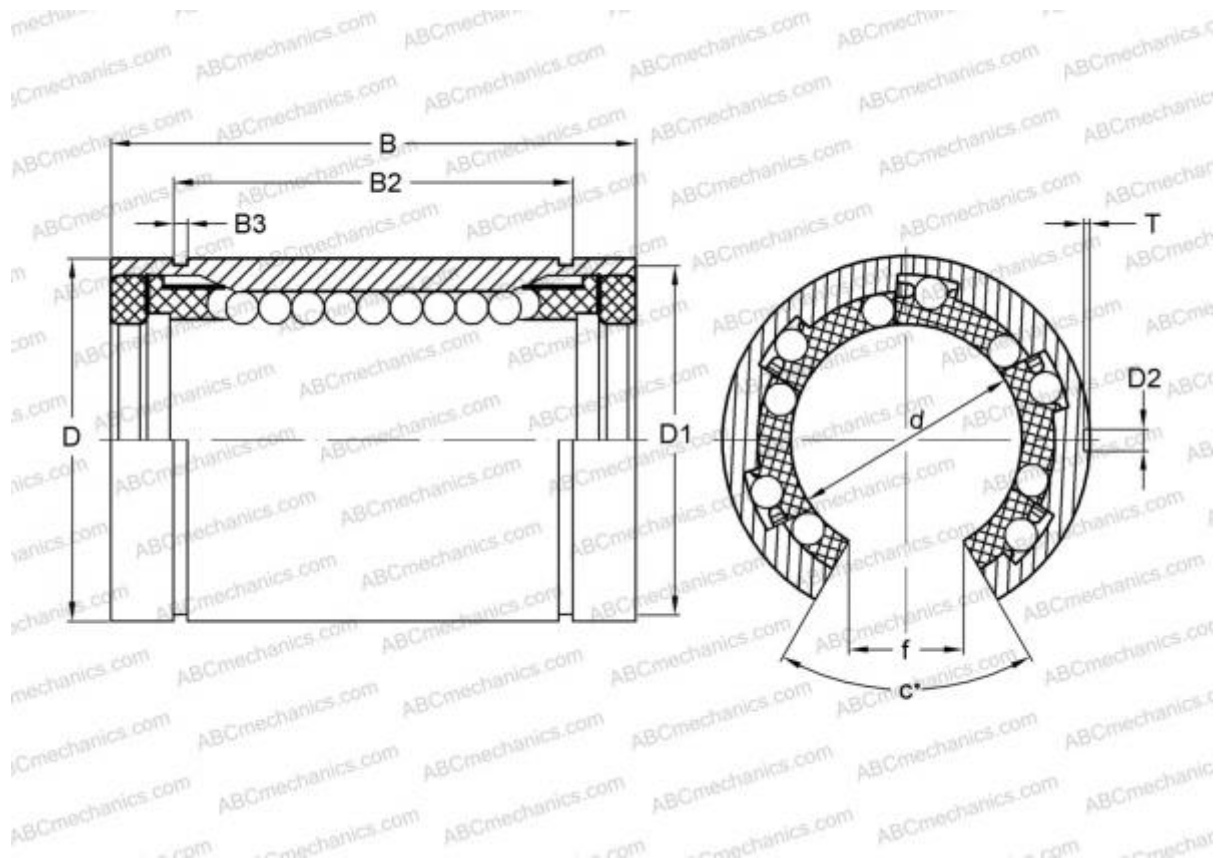


## LME 162636 UU OP ABC

Linear bushing

TYPE: Shaft guidance systems, Linear bushing, Standard, Open type for support rail, Type LME..(N) UU OP, sealed on both sides



### Technical specification

#### DIMENSIONS, MM

d	16,000
D	26,000
B	36,000
f	10,000
c	78

**WEIGHT, KG** 0,045

**MANUFACTURER** [ABC](#)

#### INTERCHANGE

IKO	<a href="#">LME 162636 UU OP</a>
STAR	<a href="#">0632-016-00</a>
THOMSON	<a href="#">0632-016-00</a>