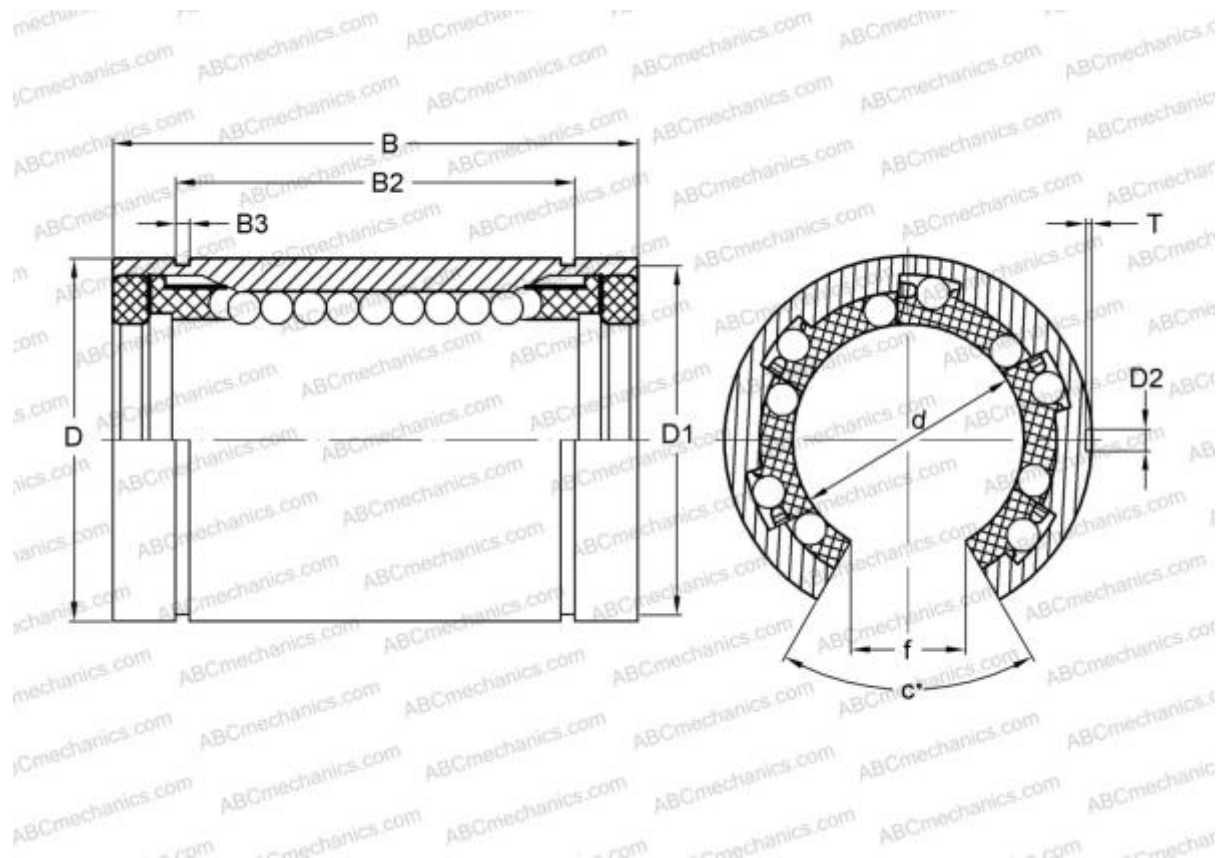


LME 162636 UU OP IKO

Linear bushing

TYPE: Shaft guidance systems, Linear bushing, Standard, Open type for support rail, Type LME..(N) UU OP, sealed on both sides



Technical specification

DIMENSIONS, MM

d	16,000
D	26,000
B	36,000
f	10,000
c	78,000

WEIGHT, KG 0,045

MANUFACTURER [IKO](#)

INTERCHANGE

ABC	LME 162636 UU OP
STAR	0632-016-00
THOMSON	0632-016-00

CALCULATION DATA

Basic dynamic load rating min	0,283 kN
-------------------------------	----------

CALCULATION DATA

Basic dynamic load rating max	0,325 kN
Basic static load rating min	0,514 kN
Basic static load rating max	0,726 kN