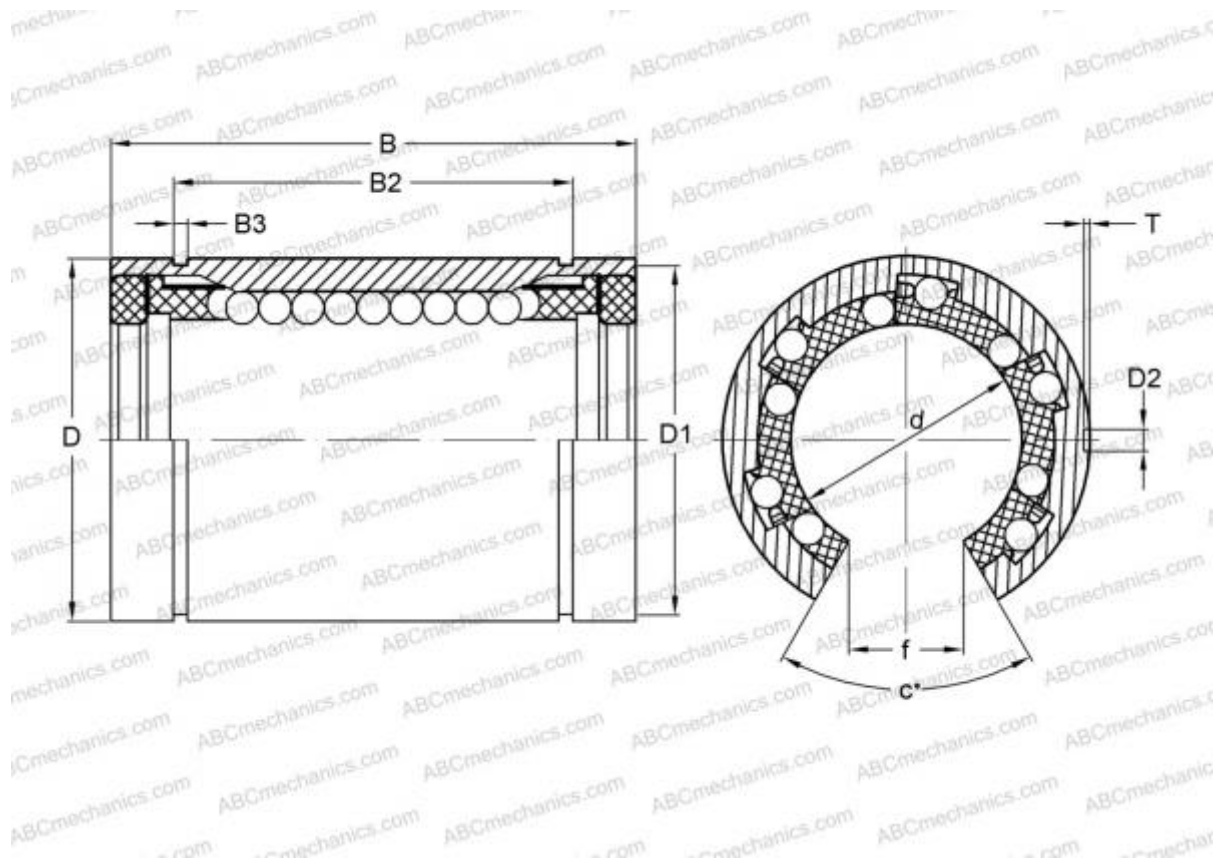


LME 162636 N UU OP IKO

Linear bushing

TYPE: Shaft guidance systems, Linear bushing, Standard, Open type for support rail, Type LME..(N) UU OP, sealed on both sides



Technical specification

DIMENSIONS, MM

d	16,000
D	26,000
B	36,000
f	10,000
c	78

WEIGHT, KG 0,044

MANUFACTURER [IKO](#)

INTERCHANGE

ABC	LME 162636 N UU OP
INA	KBO 1636 PP
SKF	LBCT 16-2LS
FAG	LAN 16X26X36.2RS

CALCULATION DATA

Basic dynamic load rating min	0,283 kN
Basic dynamic load rating max	0,325 kN
Basic static load rating min	0,514 kN
Basic static load rating max	0,726 kN