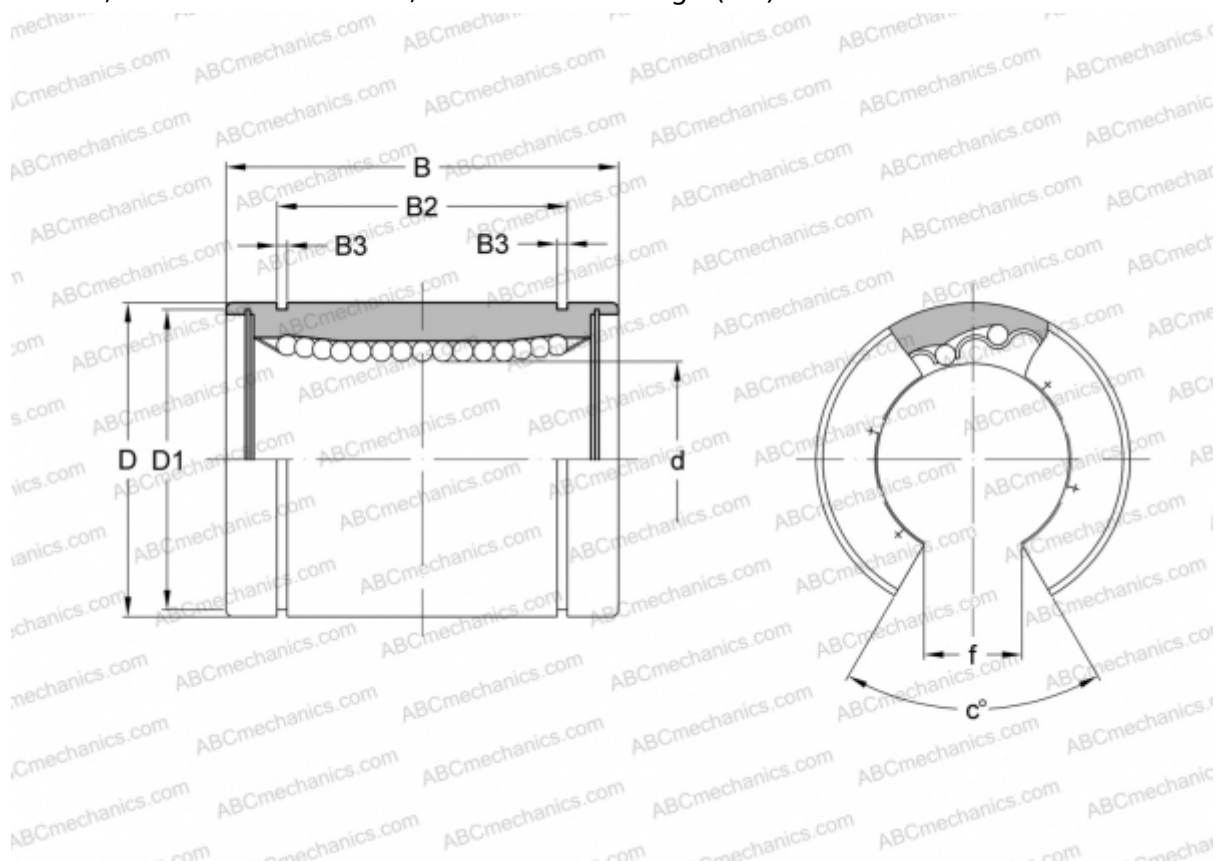


SMS 25-OP NB

Linear bushing

TYPE: Shaft guidance systems, Linear bushing, Standard, Open type for support rail, Type SM..OP, Asian standard, Corrosion resistance, Stainless steel cage (NB)



Technical specification

DIMENSIONS, MM

| | |
|----|--------|
| d | 25,000 |
| D | 40,000 |
| B | 59,000 |
| D1 | 38,000 |
| B2 | 41,000 |
| B3 | 1,850 |
| f | 12,000 |
| c | 50 |

WEIGHT, KG 0,203

MANUFACTURER [NB](#)