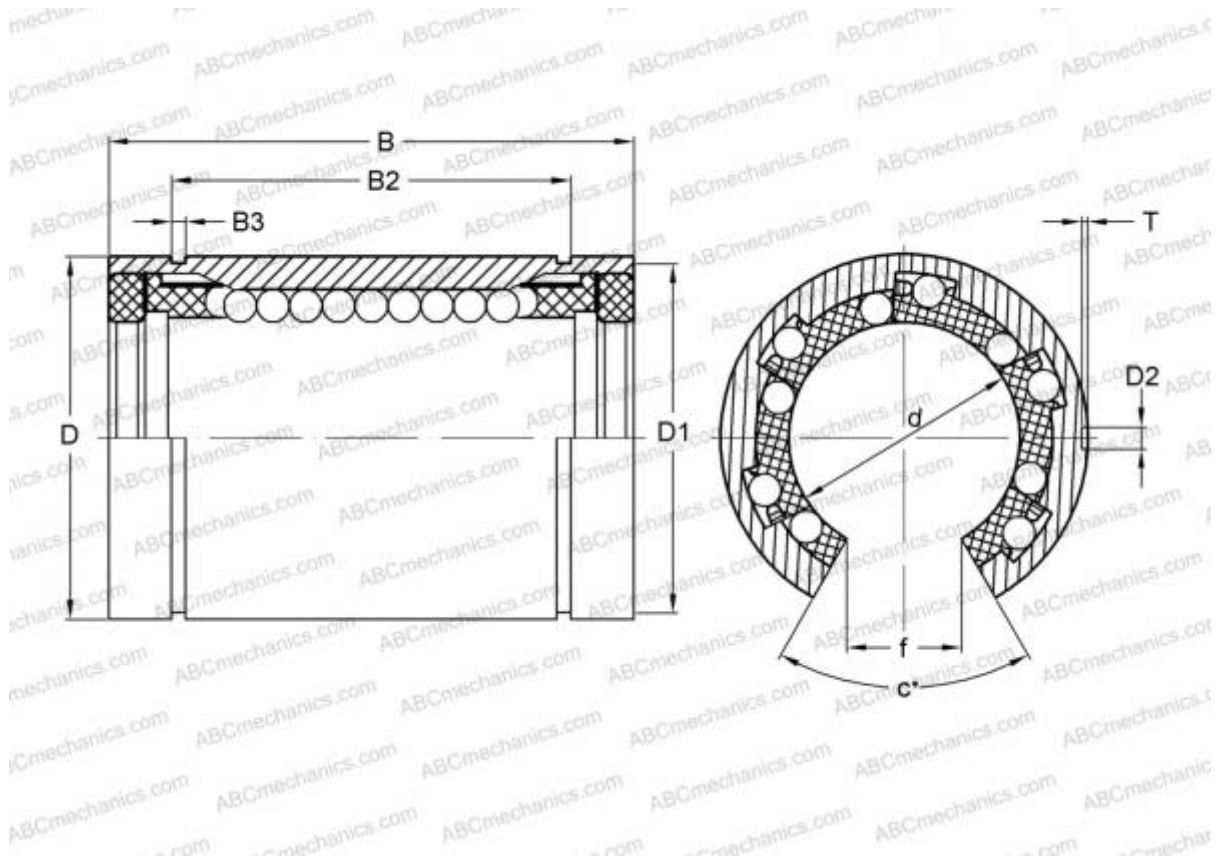


LME 203245 UU OP ABC

Linear bushing

TYPE: Shaft guidance systems, Linear bushing, Standard, Open type for support rail, Type LME..(N) UU OP, sealed on both sides



Technical specification

DIMENSIONS, MM

d	20,000
D	32,000
B	45,000
f	10,000
c	60,000

WEIGHT, KG 0,084

MANUFACTURER [ABC](#)

INTERCHANGE

IKO	LME 203245 UU OP
STAR	0632-020-00
THOMSON	0632-020-00