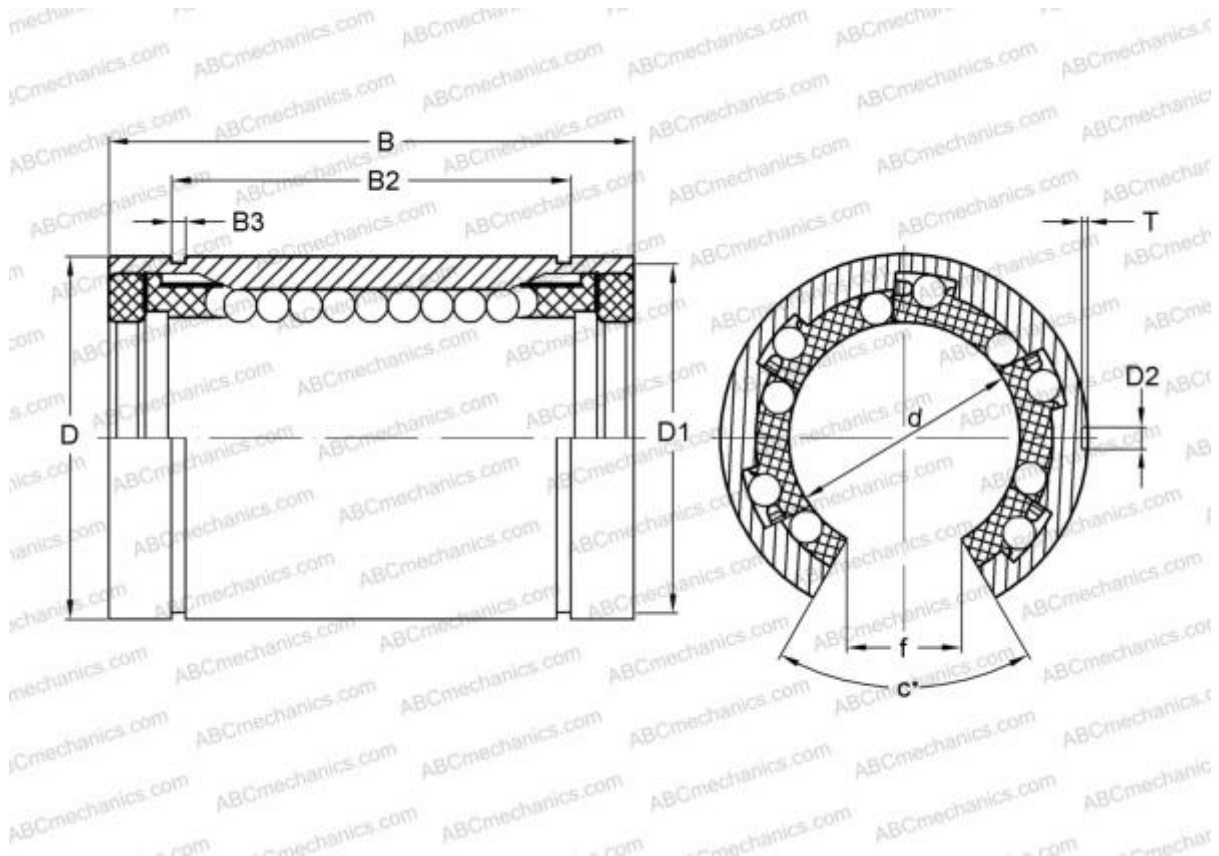


LME 254058 UU OP IKO

Linear bushing

TYPE: Shaft guidance systems, Linear bushing, Standard, Open type for support rail, Type LME..(N) UU OP, sealed on both sides



Technical specification

DIMENSIONS, MM

d	25,000
D	40,000
B	58,000
f	12,500
c	60

WEIGHT, KG 0,200

MANUFACTURER [IKO](#)

INTERCHANGE

ABC	LME 254058 UU OP
STAR	0632-025-00
THOMSON	0632-025-00

CALCULATION DATA

Basic dynamic load rating min	0,920 kN
-------------------------------	----------

CALCULATION DATA

Basic dynamic load rating max	0,974 kN
Basic static load rating min	1,780 kN
Basic static load rating max	2,280 kN