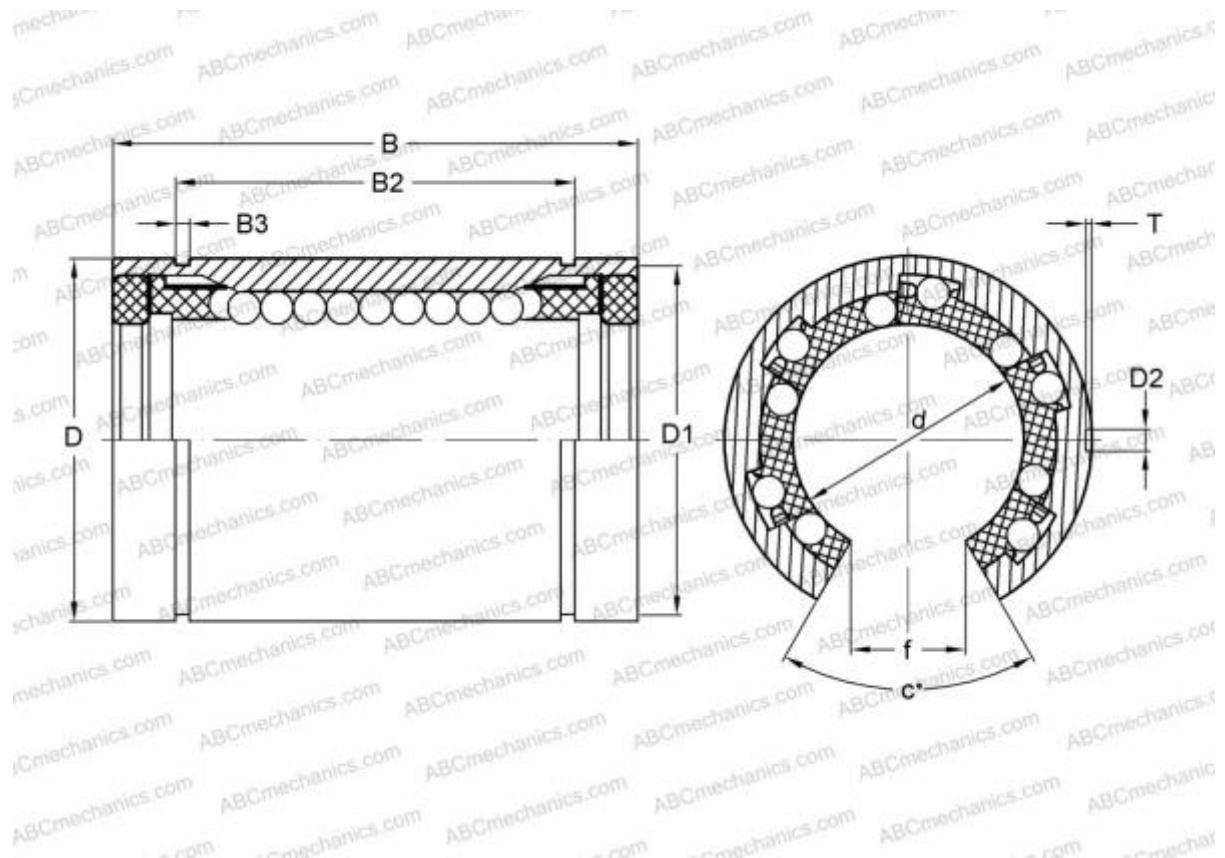


## LME 254058 N UU OP ABC

Linear bushing

TYPE: Shaft guidance systems, Linear bushing, Standard, Open type for support rail, Type LME..(N) UU OP, sealed on both sides



### Technical specification

#### DIMENSIONS, MM

d	25,000
D	40,000
B	58,000
f	12,500
c	60

**WEIGHT, KG** 0,181

**MANUFACTURER** [ABC](#)

#### INTERCHANGE

IKO	<a href="#">LME 254058 N UU OP</a>
INA	<a href="#">KBO 2558 PP</a>
SKF	<a href="#">LBCT 25-2LS</a>
FAG	<a href="#">LAN 25X 40X 58.2RS</a>