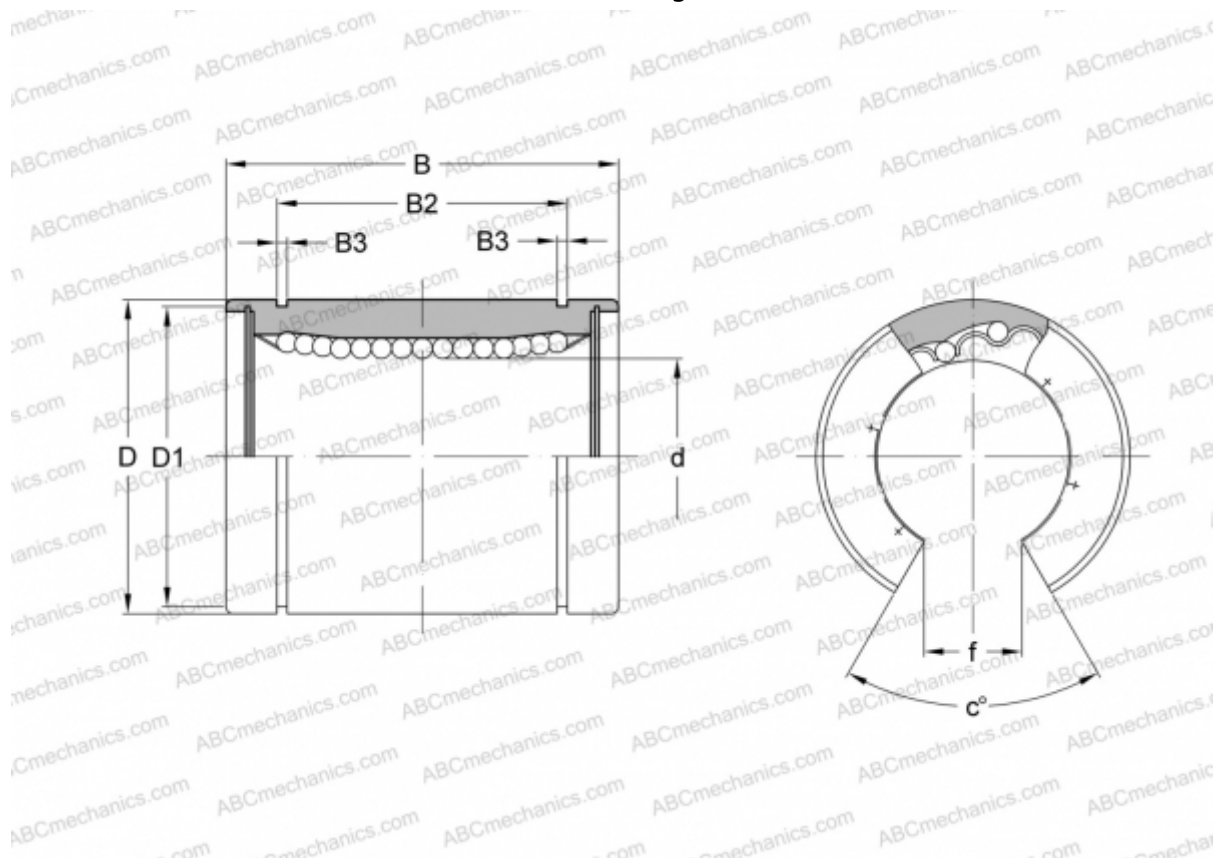


## SMS 50-OP NB

Linear bushing

TYPE: Shaft guidance systems, Linear bushing, Standard, Open type for support rail, Type SM..OP, Asian standard, Corrosion resistance, Stainless steel cage (NB)



### Technical specification

#### DIMENSIONS, MM

d	50,000
D	80,000
B	100,000
D1	76,500
B2	74,000
B3	2,600
f	25,000
c	50

**WEIGHT, KG** 1,420

**MANUFACTURER** [NB](#)