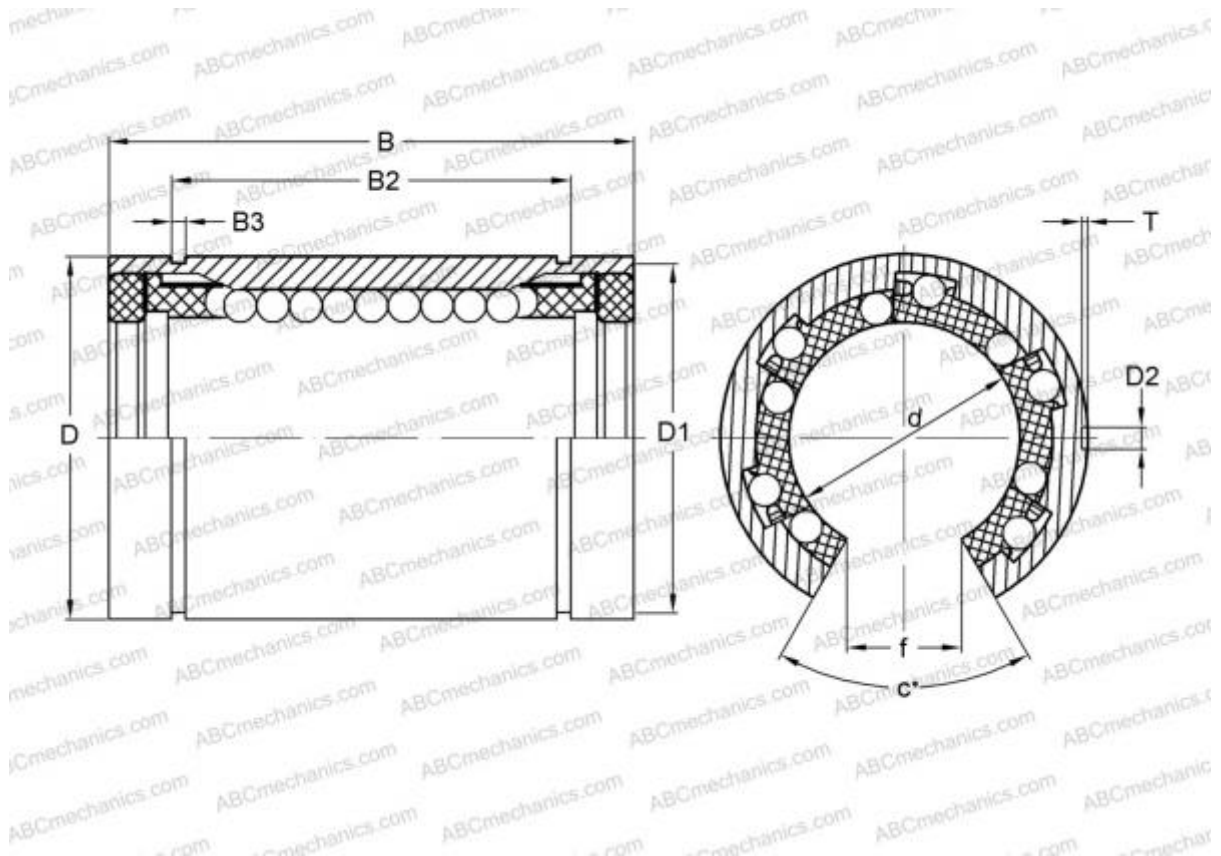


KBO 50100 PP INA

Linear bushing

TYPE: Shaft guidance systems, Linear bushing, Standard, Open type for support rail, Type LME..(N) UU OP, sealed on both sides



Technical specification

DIMENSIONS, MM

d	50,000
D	75,000
B	100,000
f	21,000
c	50

WEIGHT, KG 0,970

MANUFACTURER [INA](#)

INTERCHANGE

ABC	LME 5075100 N UU OP
IKO	LME 5075100 N UU OP
SKF	LBCT 50-2LS
FAG	LAN 50X 75X 100.2RS