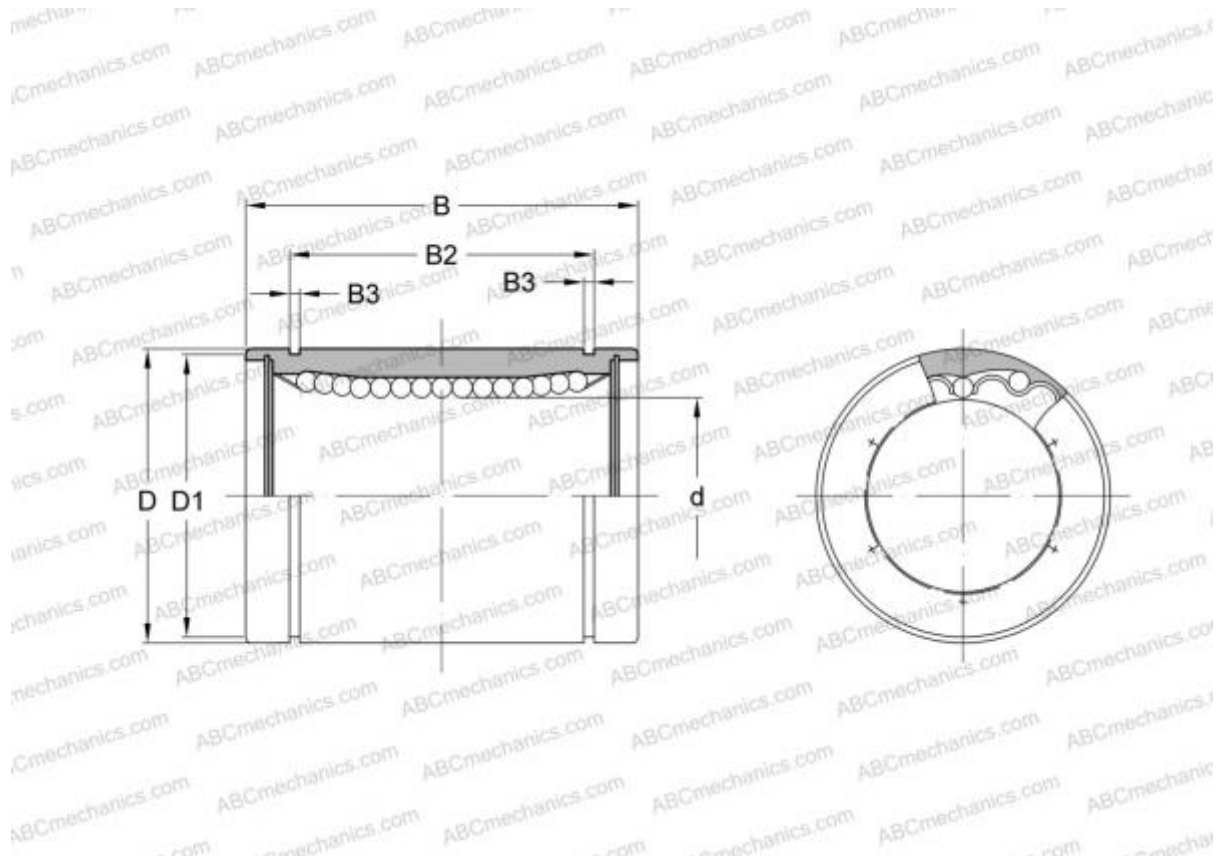


LME 304768 N F IKO

Linear bushing

TYPE: Shaft guidance systems, Linear bushing, Standard, Close type, Type LME..(N) F, stainless steel (IKO)



Technical specification

DIMENSIONS, MM

| | |
|---|--------|
| d | 30,000 |
| D | 47,000 |
| B | 68,000 |

WEIGHT, KG 0,325

MANUFACTURER [IKO](#)

CALCULATION DATA

| | |
|-------------------------------|----------|
| Basic dynamic load rating min | 1,350 kN |
| Basic dynamic load rating max | 1,430 kN |
| Basic static load rating min | 2,500 kN |
| Basic static load rating max | 3,200 kN |