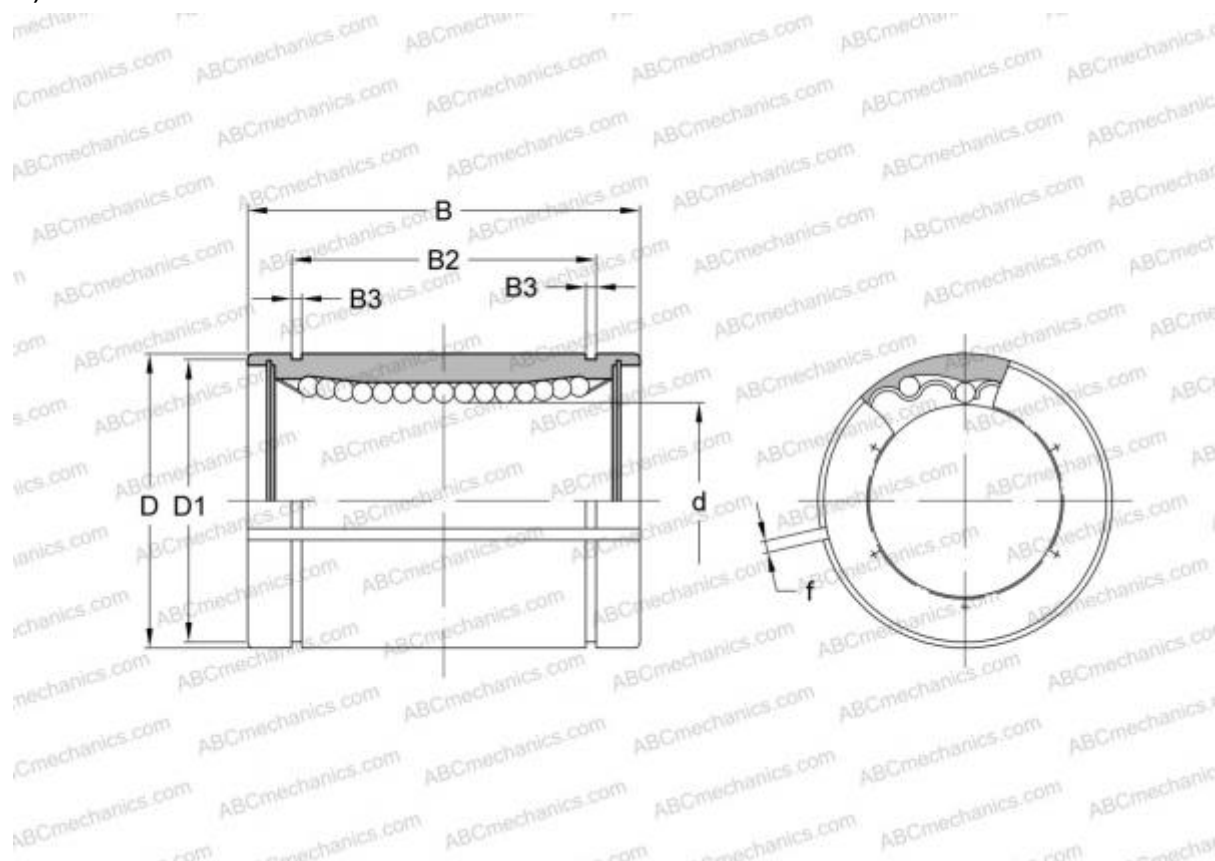


LME 254058 F AJ IKO

Linear bushing

TYPE: Shaft guidance systems, Linear bushing, Standard, Adjustable type, Type LME..(N) AJ, stainless steel (IKO)



Technical specification

DIMENSIONS, MM

| | |
|---|--------|
| d | 25,000 |
| D | 40,000 |
| B | 58,000 |
| f | 2,000 |

WEIGHT, KG 0,235

MANUFACTURER [IKO](#)

CALCULATION DATA

| | |
|-------------------------------|----------|
| Basic dynamic load rating min | 0,920 kN |
| Basic dynamic load rating max | 0,974 kN |
| Basic static load rating min | 1,780 kN |
| Basic static load rating max | 2,280 kN |