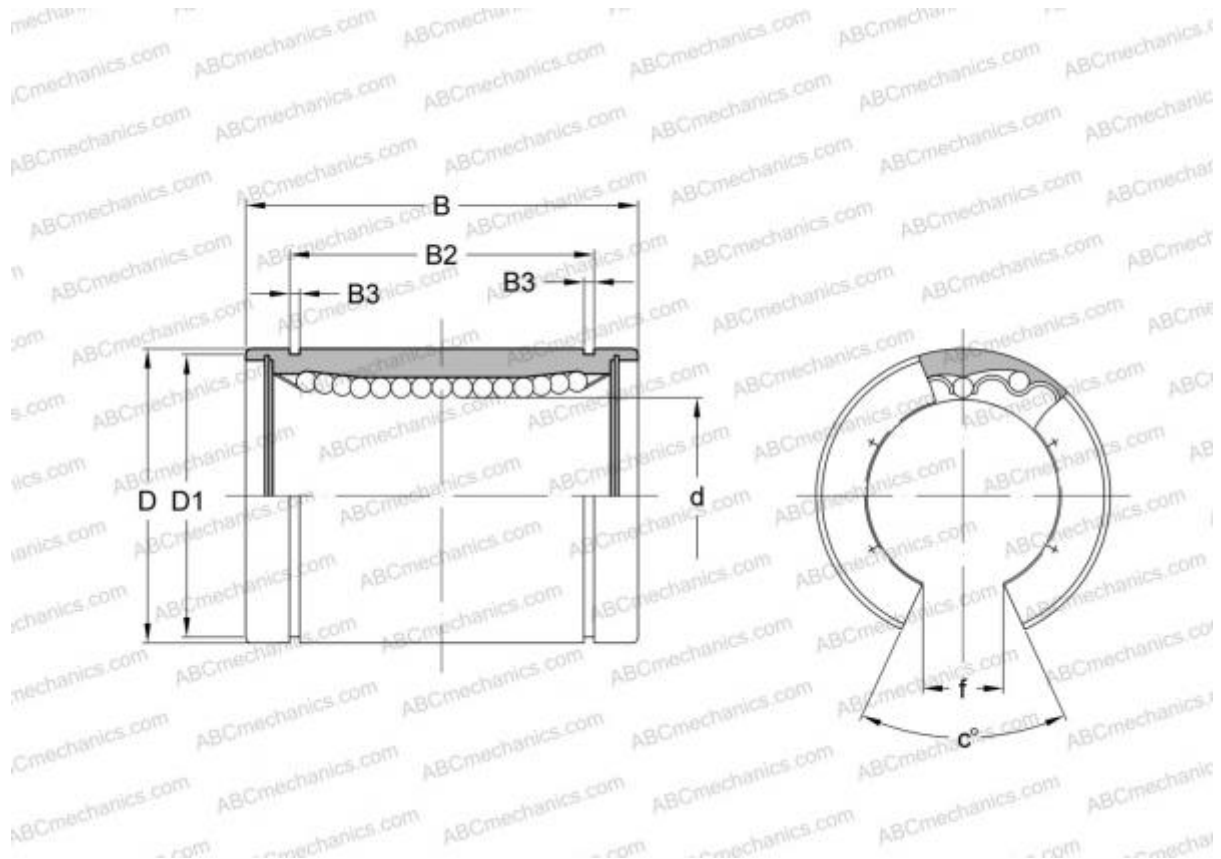


## LME 12232 F OP IKO

Linear bushing

TYPE: Shaft guidance systems, Linear bushing, Standard, Open type for support rail, Type LME..(N) F OP, stainless steel (IKO)



### Technical specification

#### DIMENSIONS, MM

|   |        |
|---|--------|
| d | 12,000 |
| D | 22,000 |
| B | 32,000 |
| f | 7,500  |
| c | 78,000 |

**WEIGHT, KG** 0,046

**MANUFACTURER** [IKO](#)

#### CALCULATION DATA

|                               |          |
|-------------------------------|----------|
| Basic dynamic load rating min | 0,259 kN |
| Basic dynamic load rating max | 0,298 kN |
| Basic static load rating min  | 0,503 kN |
| Basic static load rating max  | 0,711 kN |