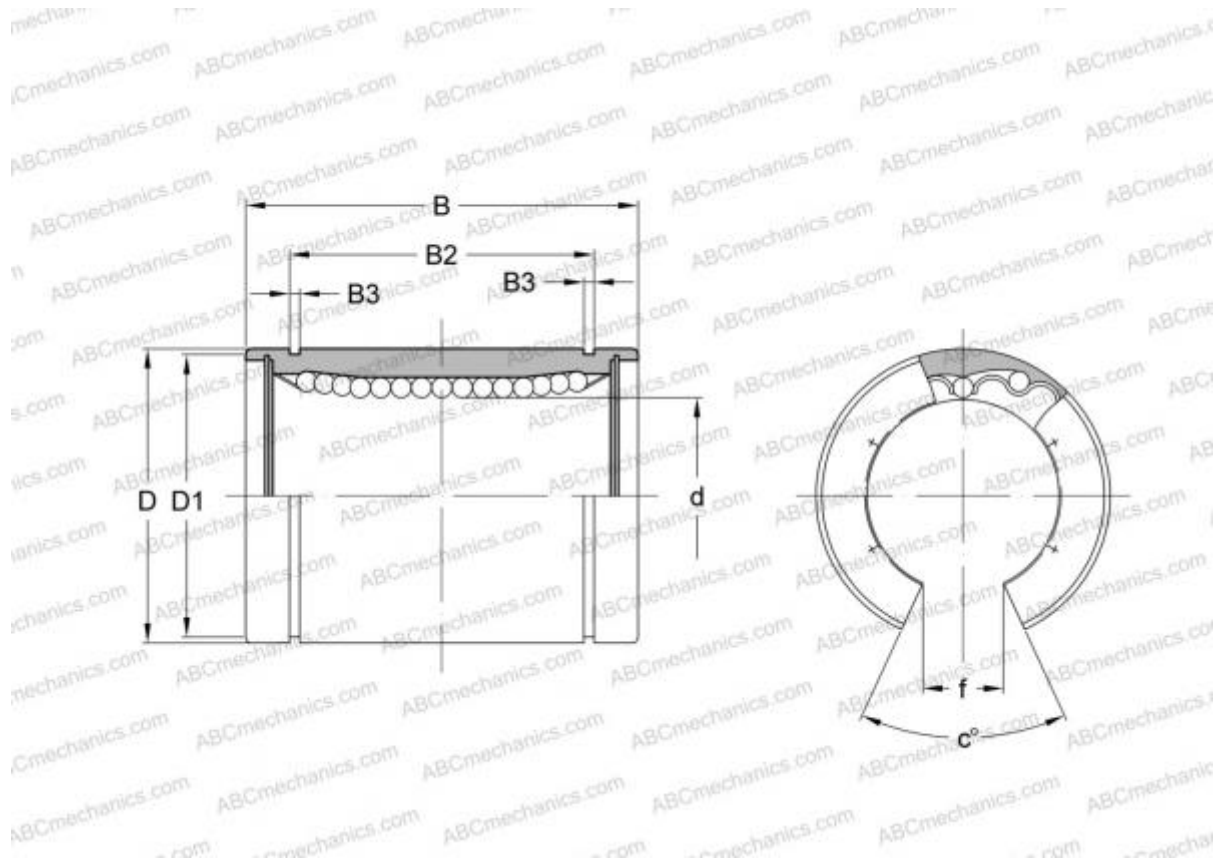


## LME 203245 F OP IKO

Linear bushing

TYPE: Shaft guidance systems, Linear bushing, Standard, Open type for support rail, Type LME..(N) F OP, stainless steel (IKO)



### Technical specification

#### DIMENSIONS, MM

d	20,000
D	32,000
B	45,000
f	10,000
c	60

**WEIGHT, KG** 0,105

**MANUFACTURER** [IKO](http://www.iko.com)

#### CALCULATION DATA

Basic dynamic load rating min	0,562 kN
Basic dynamic load rating max	0,668 kN
Basic static load rating min	1,010 kN
Basic static load rating max	1,470 kN