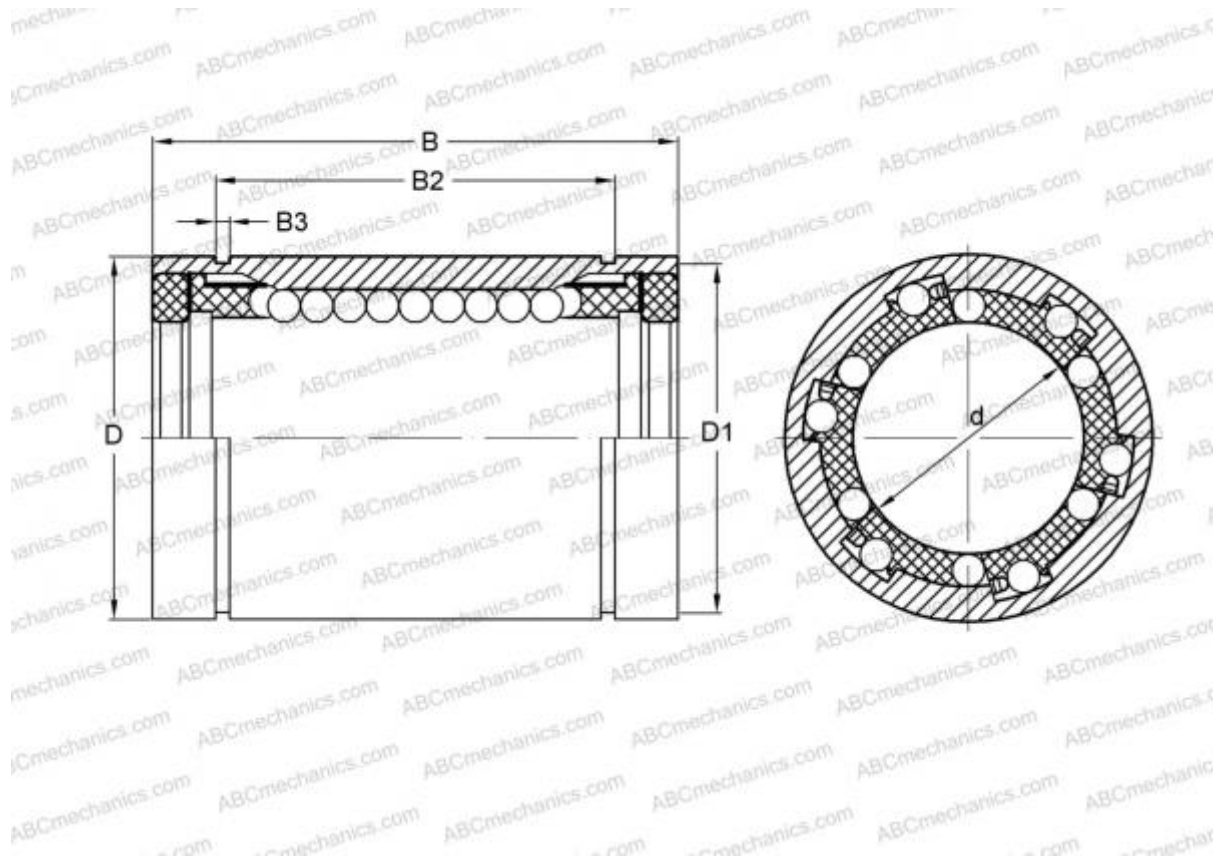


## LME 162636 N F UU IKO

Linear bushing

TYPE: Shaft guidance systems, Linear bushing, Standard, Close type, Type LME..(N) F UU, stainless steel, sealed on both sides (IKO)



### Technical specification

#### DIMENSIONS, MM

d	16,000
D	26,000
B	36,000

**WEIGHT, KG** 0,057

**MANUFACTURER** [IKO](#)

#### CALCULATION DATA

Basic dynamic load rating min	0,283 kN
Basic dynamic load rating max	0,325 kN
Basic static load rating min	0,514 kN
Basic static load rating max	0,726 kN