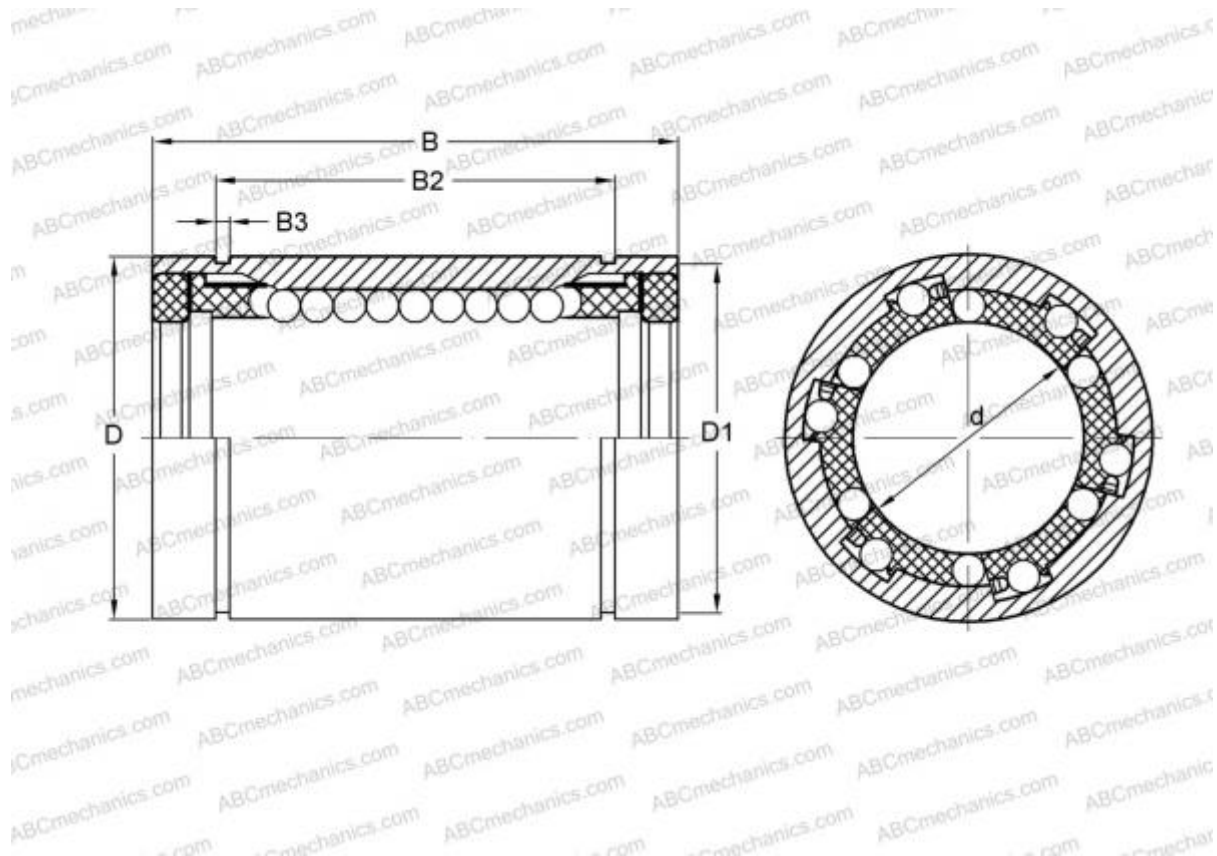


## LME 254058 F UU IKO

Linear bushing

TYPE: Shaft guidance systems, Linear bushing, Standard, Close type, Type LME..(N) F UU, stainless steel, sealed on both sides (IKO)



### Technical specification

#### DIMENSIONS, MM

|   |        |
|---|--------|
| d | 25,000 |
| D | 40,000 |
| B | 58,000 |

**WEIGHT, KG** 0,240

**MANUFACTURER** [IKO](#)

#### CALCULATION DATA

|                               |          |
|-------------------------------|----------|
| Basic dynamic load rating min | 0,920 kN |
| Basic dynamic load rating max | 0,974 kN |
| Basic static load rating min  | 1,780 kN |
| Basic static load rating max  | 2,280 kN |