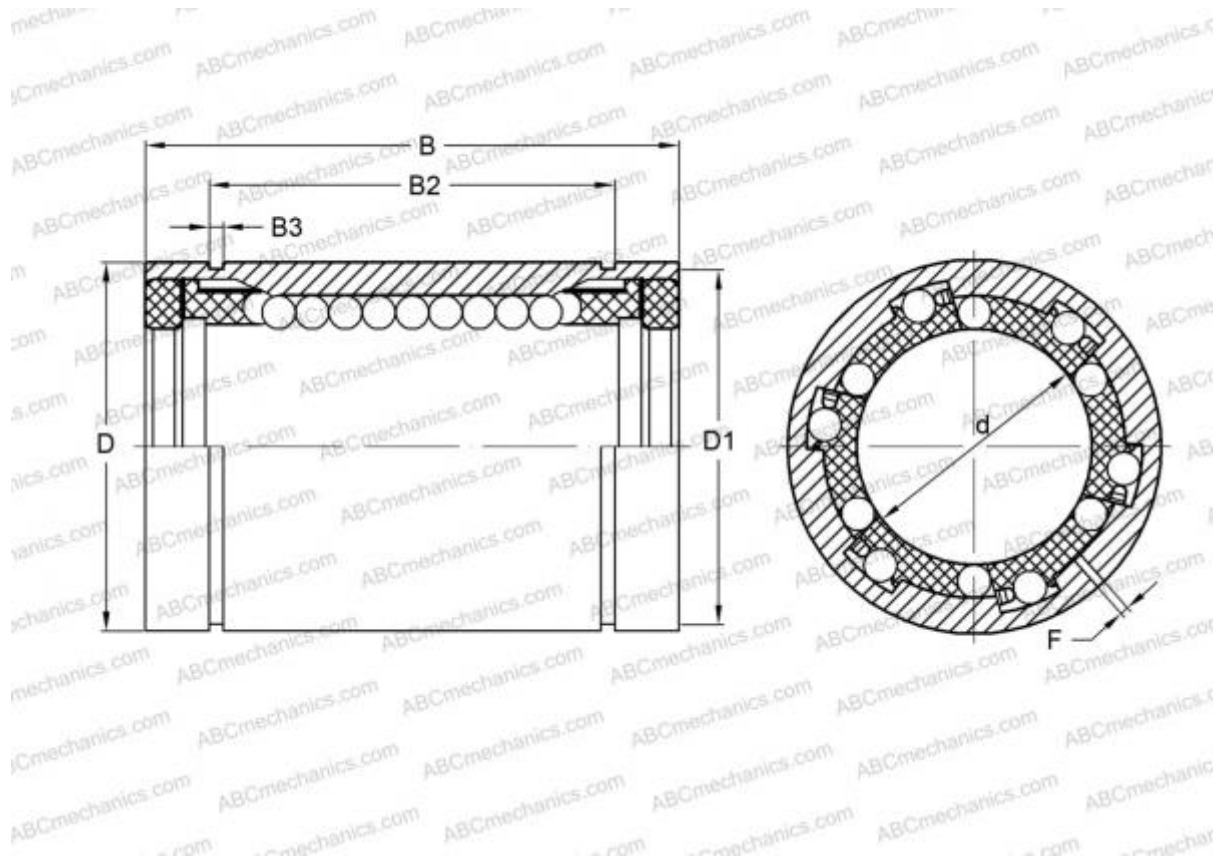


## LME 162636 F UU AJ IKO

Linear bushing

TYPE: Shaft guidance systems, Linear bushing, Standard, Adjustable type, Type LME..(N) F UU AJ, stainless steel, sealed on both sides (IKO)



### Technical specification

#### DIMENSIONS, MM

|   |        |
|---|--------|
| d | 16,000 |
| D | 26,000 |
| B | 36,000 |
| f | 1,500  |

**WEIGHT, KG** 0,058

**MANUFACTURER** [IKO](#)

#### CALCULATION DATA

|                               |          |
|-------------------------------|----------|
| Basic dynamic load rating min | 0,283 kN |
| Basic dynamic load rating max | 0,325 kN |
| Basic static load rating min  | 0,514 kN |
| Basic static load rating max  | 0,726 kN |