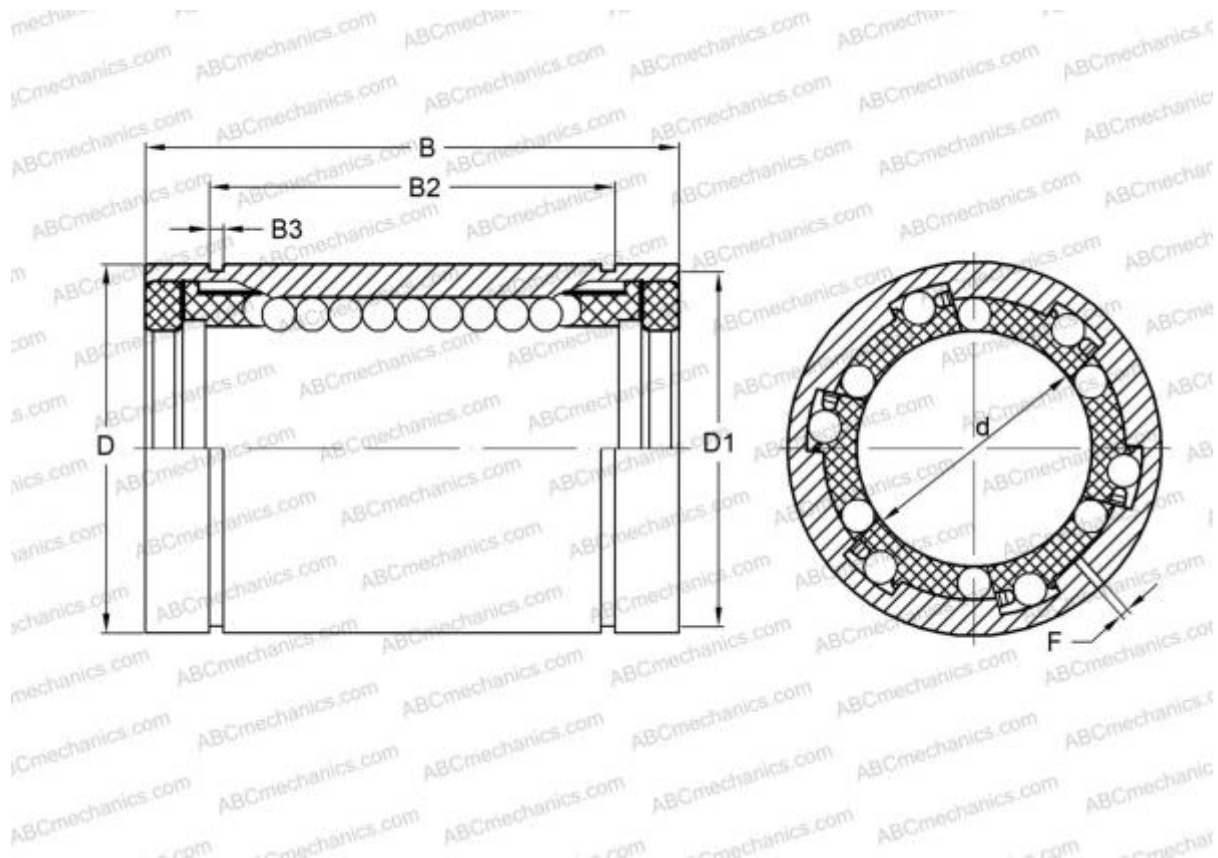


## LME 203245 F UU AJ IKO

Linear bushing

TYPE: Shaft guidance systems, Linear bushing, Standard, Adjustable type, Type LME..(N) F UU AJ, stainless steel, sealed on both sides (IKO)



### Technical specification

#### DIMENSIONS, MM

d	20,000
D	32,000
B	45,000
f	2,000

**WEIGHT, KG** 0,100

**MANUFACTURER** [IKO](#)

#### CALCULATION DATA

Basic dynamic load rating min	0,562 kN
Basic dynamic load rating max	0,668 kN
Basic static load rating min	1,010 kN
Basic static load rating max	1,470 kN