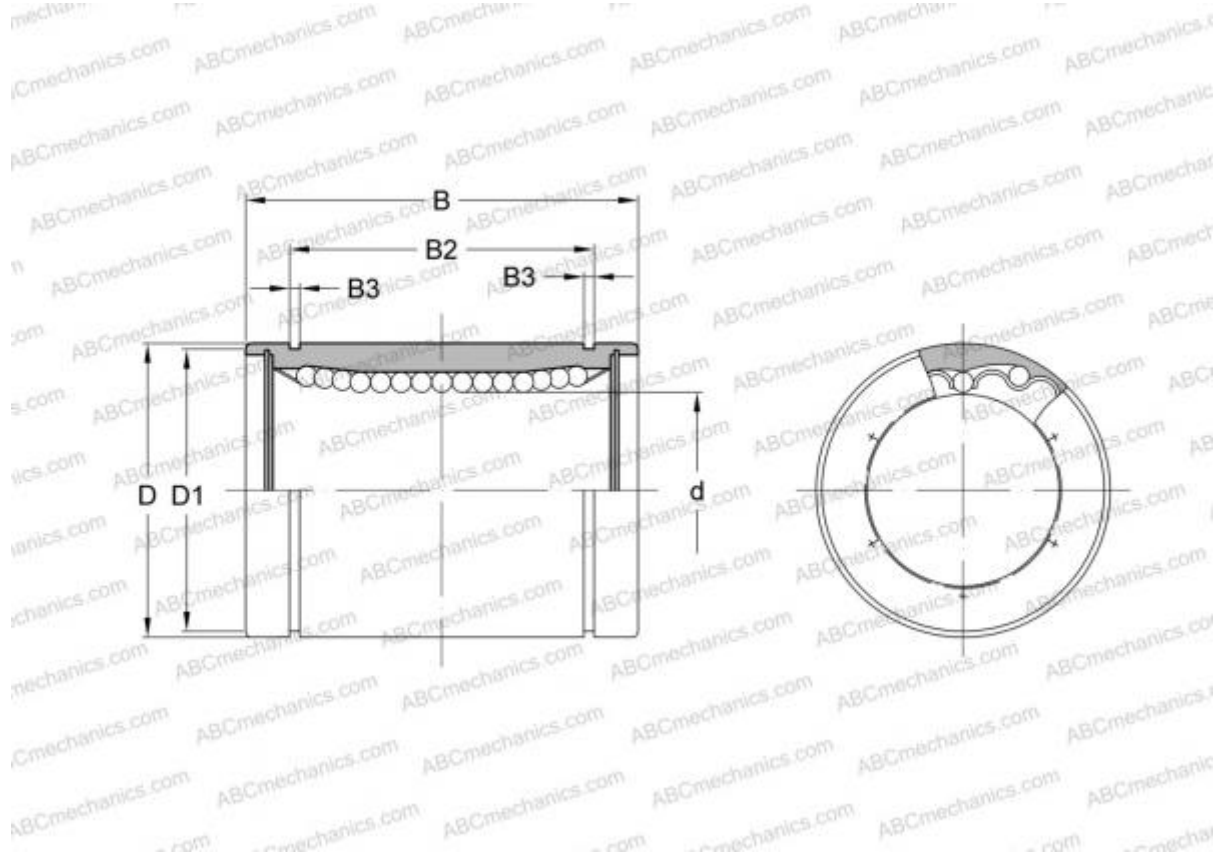


## A-4812 THOMSON

Linear bushing

TYPE: Shaft guidance systems, Linear bushing, Standard, Close type, Type LMB..(N), inch



### Technical specification

#### DIMENSIONS, MM

|   |        |
|---|--------|
| d | 6,350  |
| D | 12,700 |
| B | 19,050 |

**WEIGHT, KG** 0,009

**MANUFACTURER** [THOMSON](#)

#### INTERCHANGE

|              |                          |
|--------------|--------------------------|
| ABC          | <a href="#">LMB 4812</a> |
| IKO          | <a href="#">LMB 4812</a> |
| SCHNEEBERGER | <a href="#">4812</a>     |