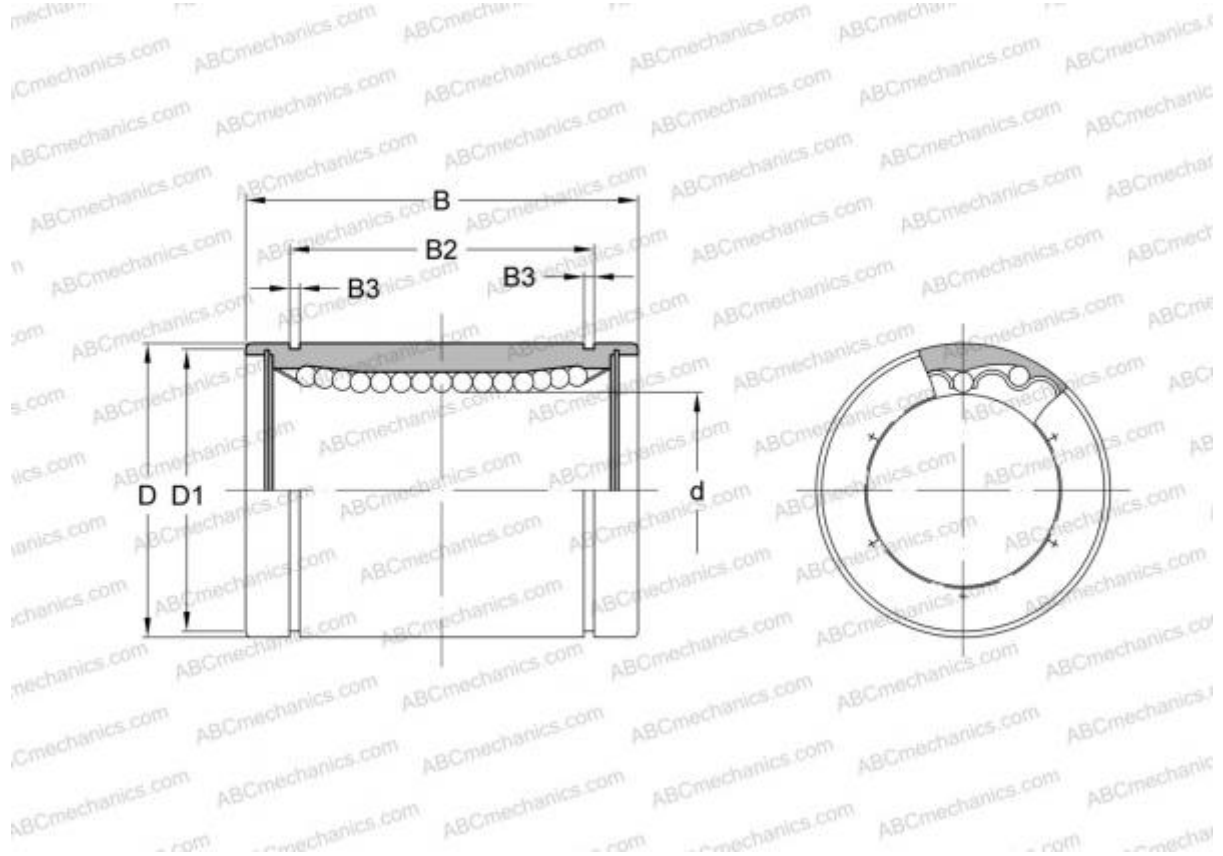


LMB 101824 ABC

Linear bushing

TYPE: Shaft guidance systems, Linear bushing, Standard, Close type, Type LMB..(N), inch



Technical specification

DIMENSIONS, MM

d	15,875
D	28,575
B	38,100

WEIGHT, KG 0,085

MANUFACTURER [ABC](#)

INTERCHANGE

IKO	LMB 101824
THOMSON	A-101824
SCHNEEBERGER	101824