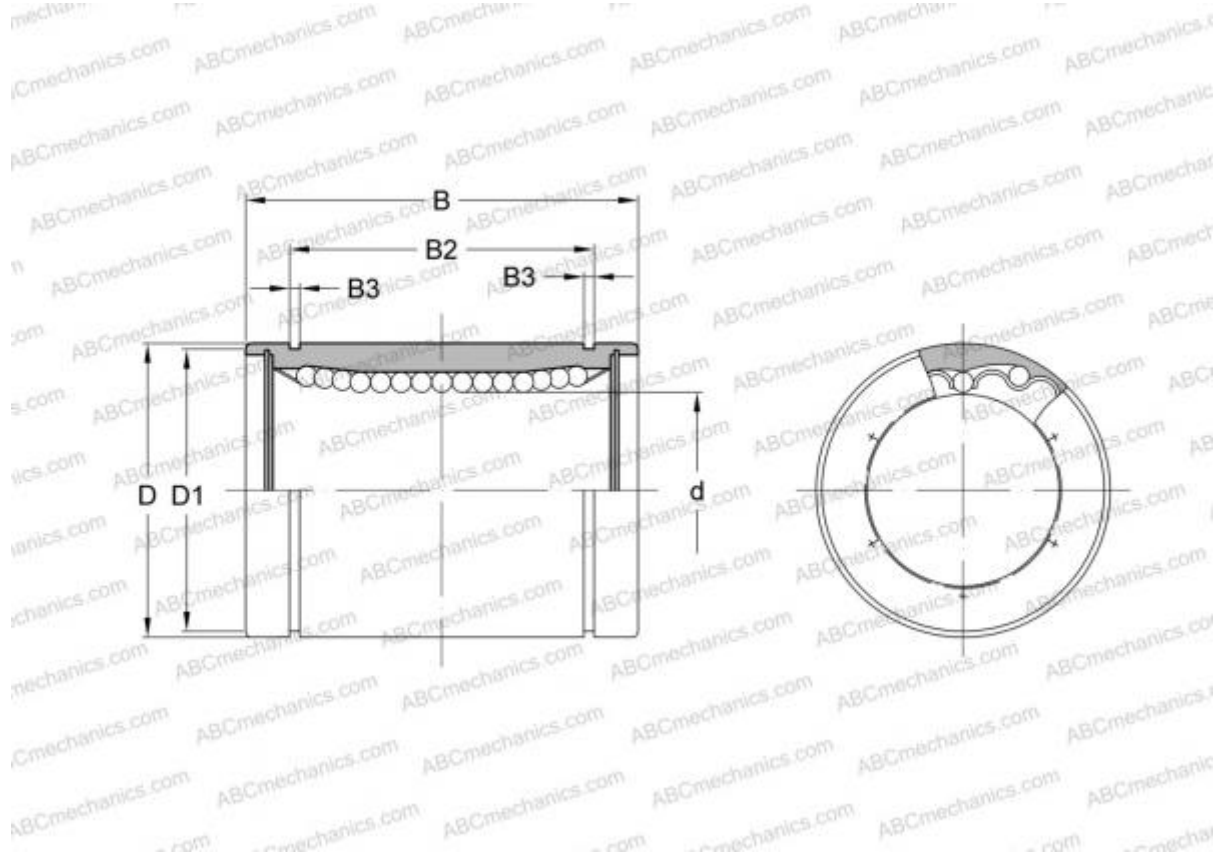


## 101824 SCHNEEBERGER

Linear bushing

TYPE: Shaft guidance systems, Linear bushing, Standard, Close type, Type LMB..(N), inch



### Technical specification

#### DIMENSIONS, MM

d	15,875
D	28,575
B	38,100

**WEIGHT, KG** 0,085

**MANUFACTURER** [SCHNEEBERGER](#)

#### INTERCHANGE

ABC	<a href="#">LMB 101824</a>
IKO	<a href="#">LMB 101824</a>
THOMSON	<a href="#">A-101824</a>