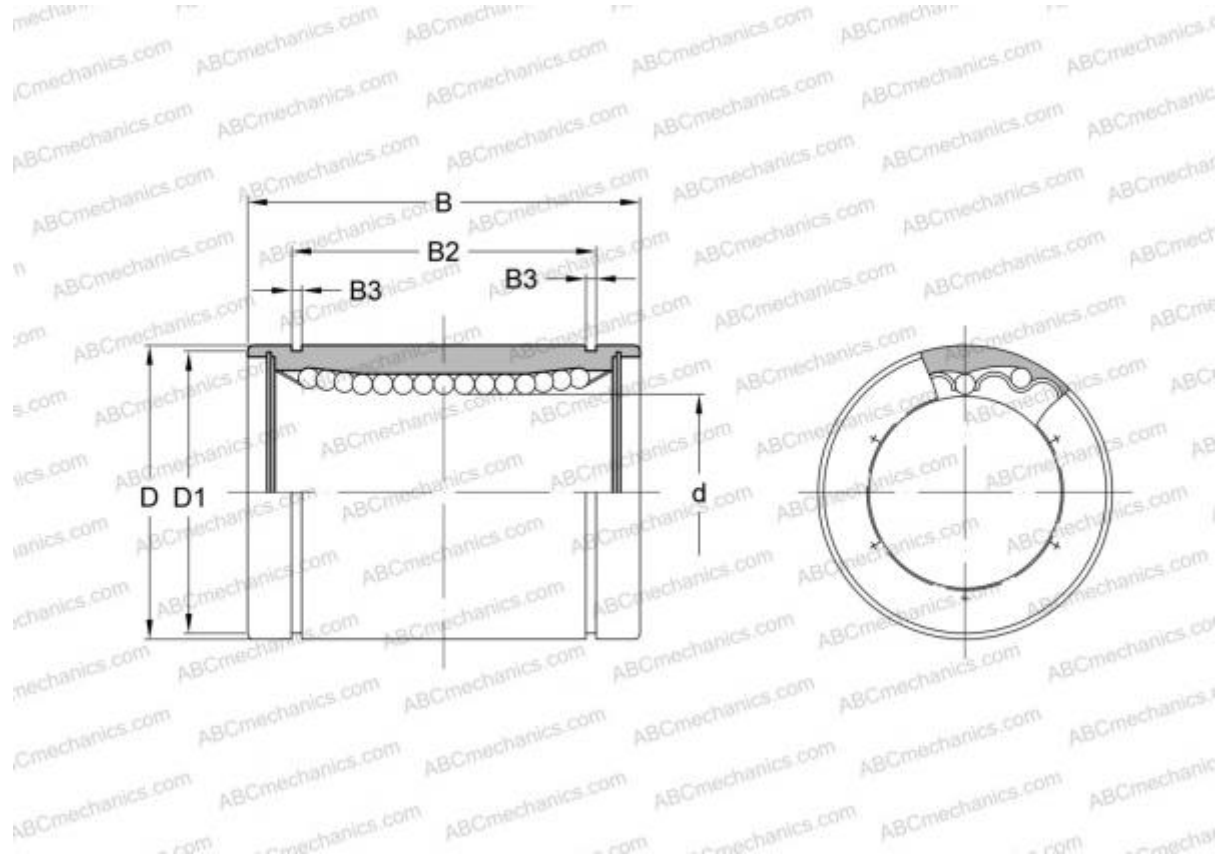


## LMB 162536 IKO

Linear bushing

TYPE: Shaft guidance systems, Linear bushing, Standard, Close type, Type LMB..(N), inch



### Technical specification

#### DIMENSIONS, MM

d	25,400
D	39,688
B	57,150

**WEIGHT, KG** 0,220

**MANUFACTURER** [IKO](#)

#### INTERCHANGE

ABC	<a href="#">LMB 162536</a>
THOMSON	<a href="#">A-162536</a>
SCHNEEBERGER	<a href="#">162536</a>

#### CALCULATION DATA

Basic static load rating max	2,280 kN
------------------------------	----------

#### CALCULATION DATA

Basic dynamic load rating min	0,923 kN
Basic dynamic load rating max	0,978 kN
Basic static load rating min	1,780 kN