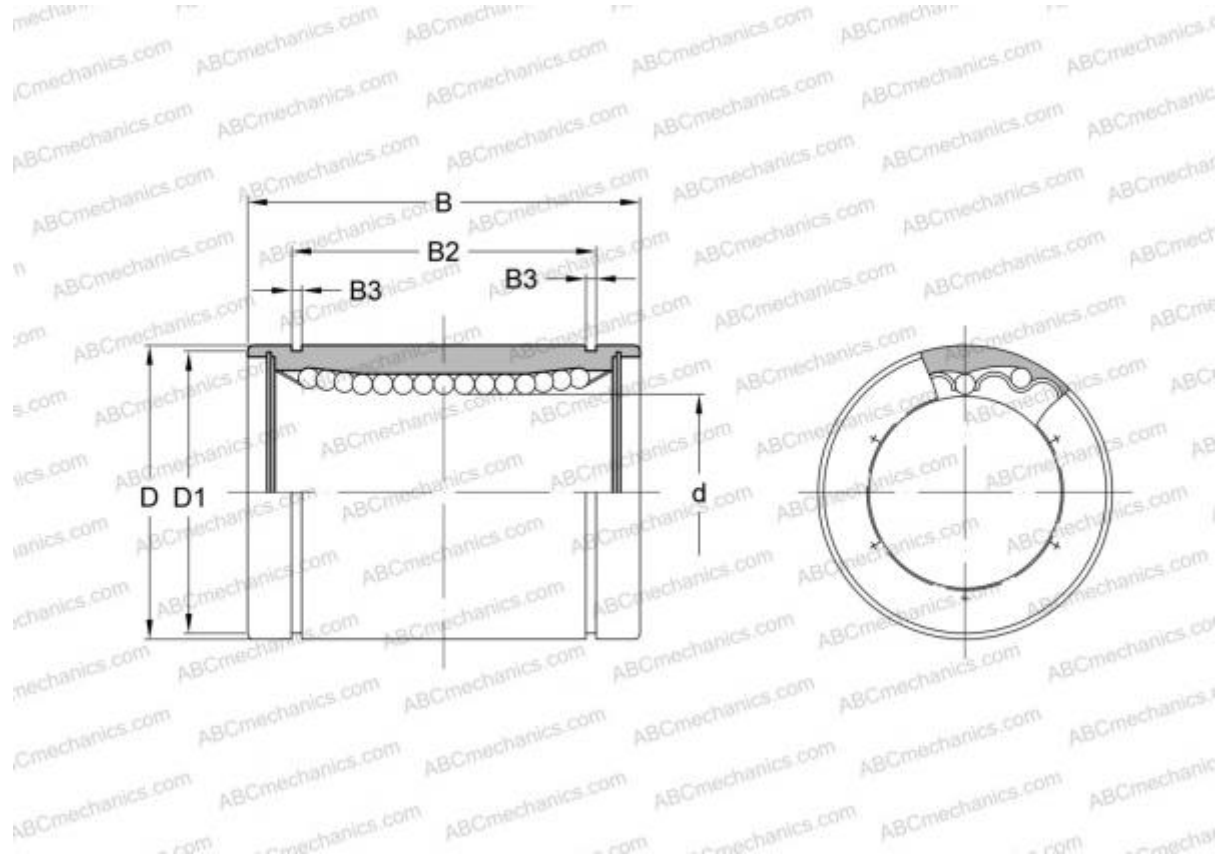


LMB 243848 IKO

Linear bushing

TYPE: Shaft guidance systems, Linear bushing, Standard, Close type, Type LMB..(N), inch



Technical specification

DIMENSIONS, MM

d	38,100
D	60,325
B	76,200

WEIGHT, KG 0,730

MANUFACTURER [IKO](#)

INTERCHANGE

ABC	LMB 243848
THOMSON	A-243848
SCHNEEBERGER	243848

CALCULATION DATA

Basic dynamic load rating min	2,010 kN
Basic dynamic load rating max	2,130 kN
Basic static load rating min	3,610 kN

CALCULATION DATA

Basic static load rating max	4,620 kN
------------------------------	----------