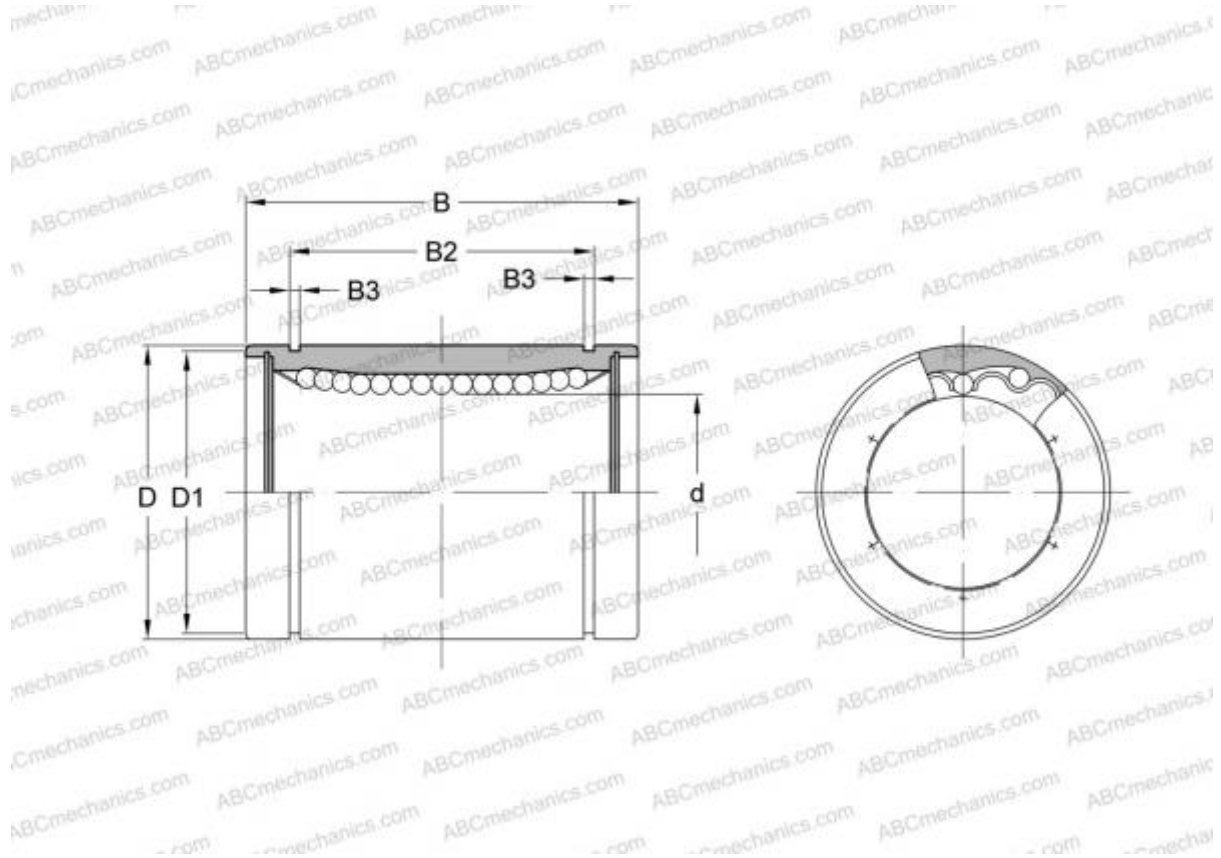


## A-406080 THOMSON

Linear bushing

TYPE: Shaft guidance systems, Linear bushing, Standard, Close type, Type LMB..(N), inch



### Technical specification

#### DIMENSIONS, MM

d	63,500
D	95,250
B	127,000

**WEIGHT, KG** 2,400

**MANUFACTURER** [THOMSON](#)

#### INTERCHANGE

ABC	<a href="#">LMB 406080</a>
IKO	<a href="#">LMB 406080</a>
SCHNEEBERGER	<a href="#">406080</a>