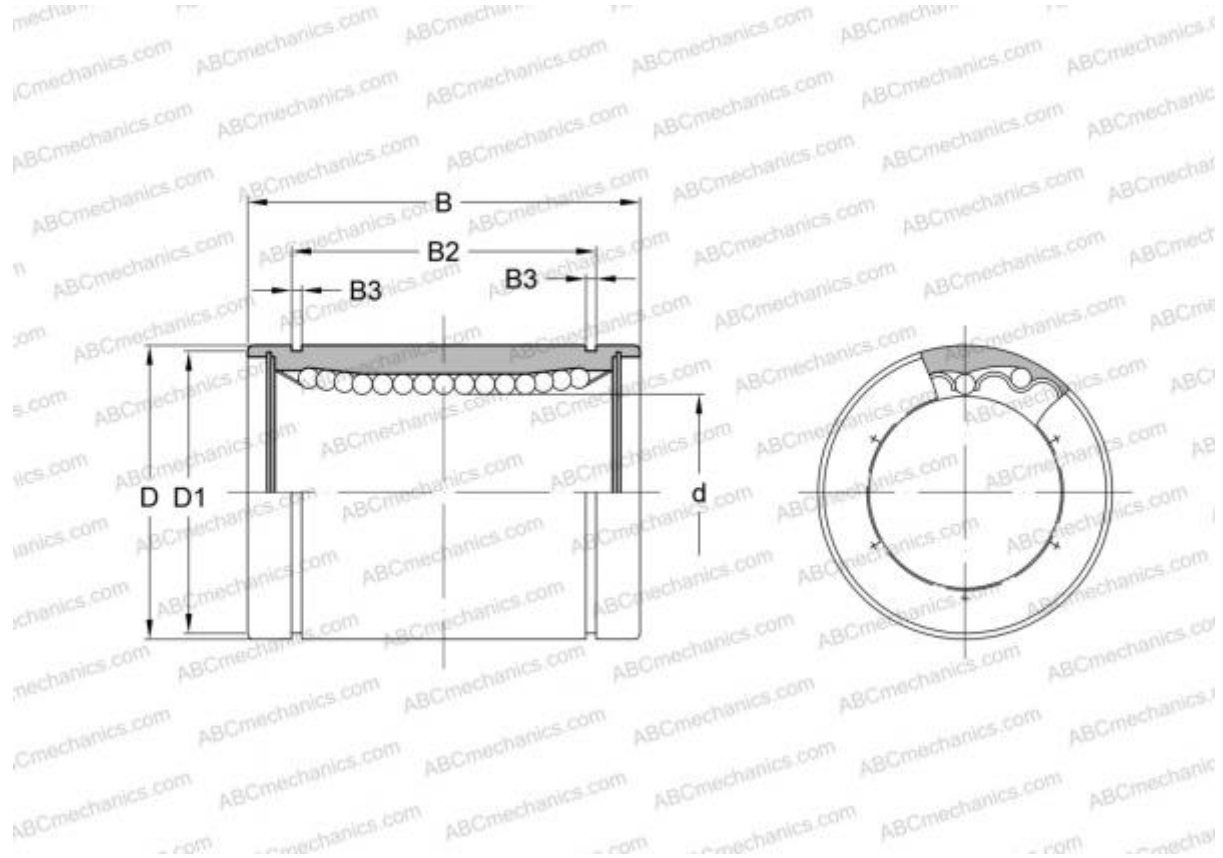


LMB 487296 IKO

Linear bushing

TYPE: Shaft guidance systems, Linear bushing, Standard, Close type, Type LMB..(N), inch



Technical specification

DIMENSIONS, MM

d	76,200
D	114,300
B	152,400

WEIGHT, KG 4,400

MANUFACTURER [IKO](#)

INTERCHANGE

ABC	LMB 487296
THOMSON	A-487296
SCHNEEBERGER	487296

CALCULATION DATA

Basic dynamic load rating min	8,620 kN
Basic dynamic load rating max	9,120 kN
Basic static load rating min	14,500 kN

CALCULATION DATA

Basic static load rating max	18,500 kN
------------------------------	-----------