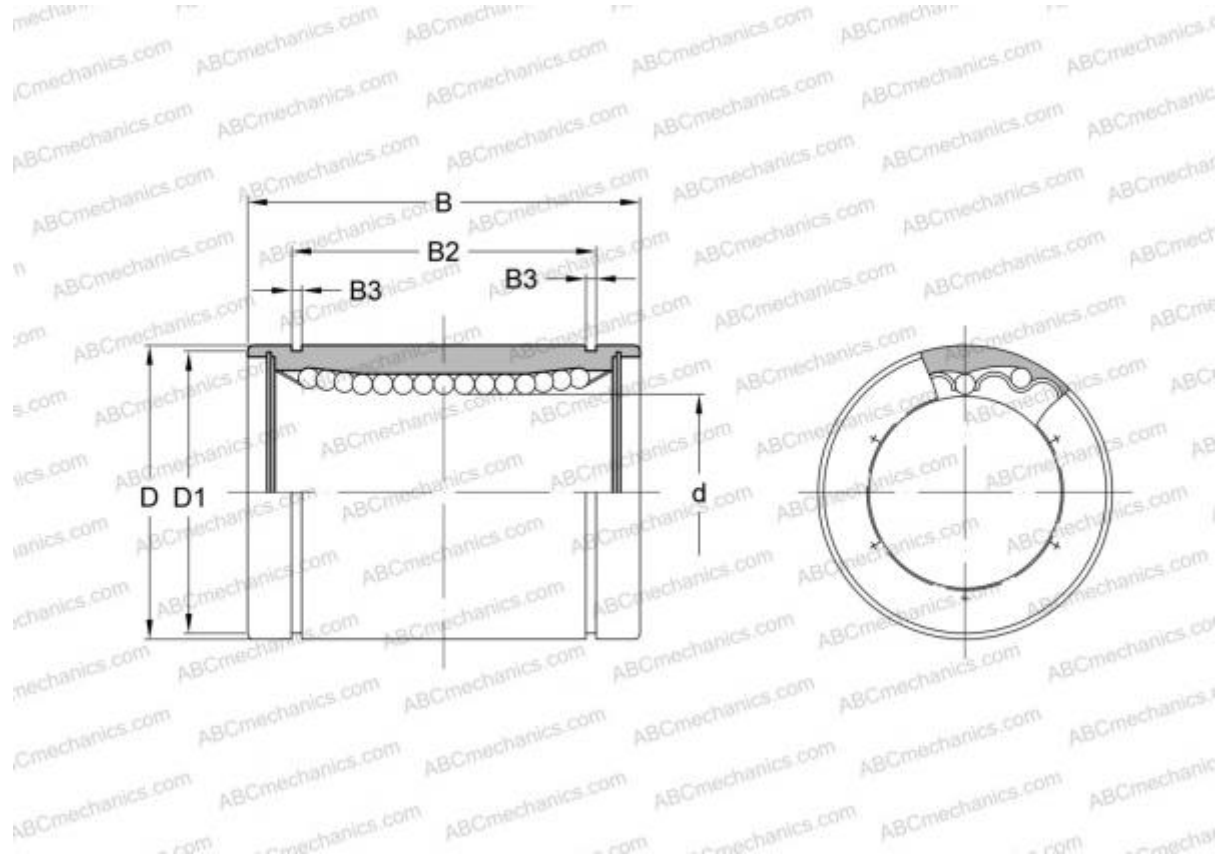


487296 SCHNEEBERGER

Linear bushing

TYPE: Shaft guidance systems, Linear bushing, Standard, Close type, Type LMB..(N), inch



Technical specification

DIMENSIONS, MM

d	76,200
D	114,300
B	152,400

WEIGHT, KG 4,400

MANUFACTURER [SCHNEEBERGER](#)

INTERCHANGE

ABC	LMB 487296
IKO	LMB 487296
THOMSON	A-487296