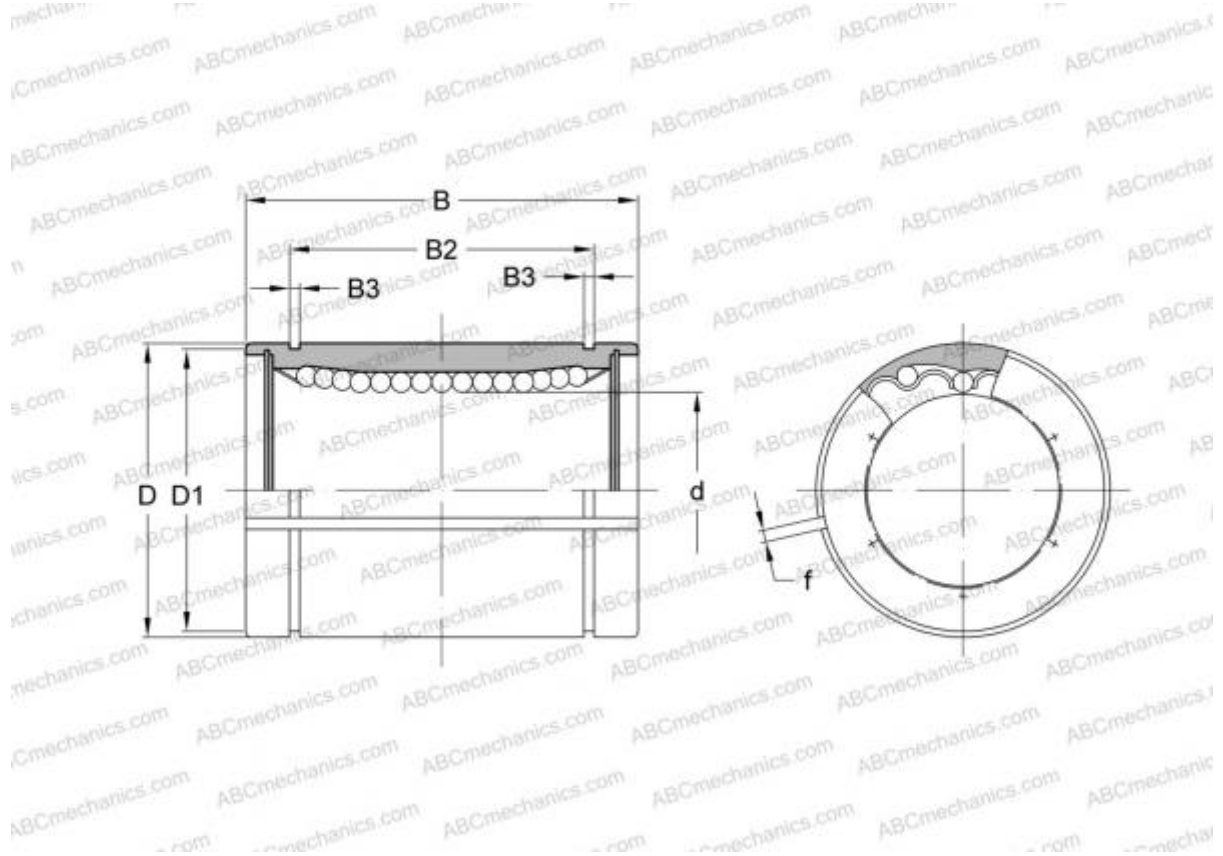


LMB 101824 AJ ABC

Linear bushing

TYPE: Shaft guidance systems, Linear bushing, Standard, Adjustable type, Type LMB..(N) AJ, inch



Technical specification

DIMENSIONS, MM

| | |
|---|--------|
| d | 15,875 |
| D | 28,575 |
| B | 38,100 |
| f | 1,500 |

WEIGHT, KG 0,083

MANUFACTURER [ABC](#)

INTERCHANGE

| | |
|---------|-------------------------------|
| IKO | LMB 101824 AJ |
| THOMSON | ADJ-101824 |