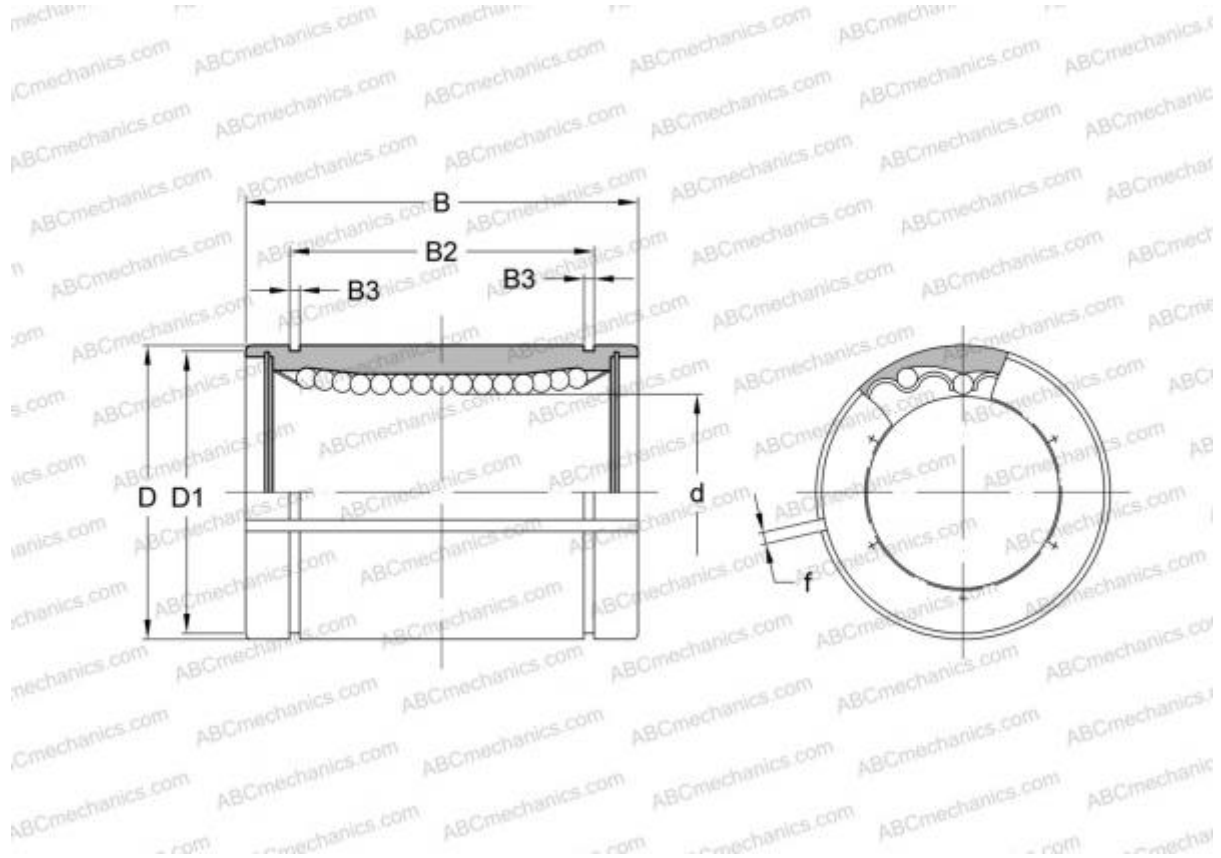


LMB 101824 AJ IKO

Linear bushing

TYPE: Shaft guidance systems, Linear bushing, Standard, Adjustable type, Type LMB..(N) AJ, inch



Technical specification

DIMENSIONS, MM

d	15,875
D	28,575
B	38,100
f	1,500

WEIGHT, KG 0,083

MANUFACTURER [IKO](#)

INTERCHANGE

ABC	LMB 101824 AJ
THOMSON	ADJ-101824

CALCULATION DATA

Basic dynamic load rating min	0,424 kN
Basic dynamic load rating max	0,488 kN
Basic static load rating min	0,766 kN

CALCULATION DATA

Basic static load rating max	1,080 kN
------------------------------	----------