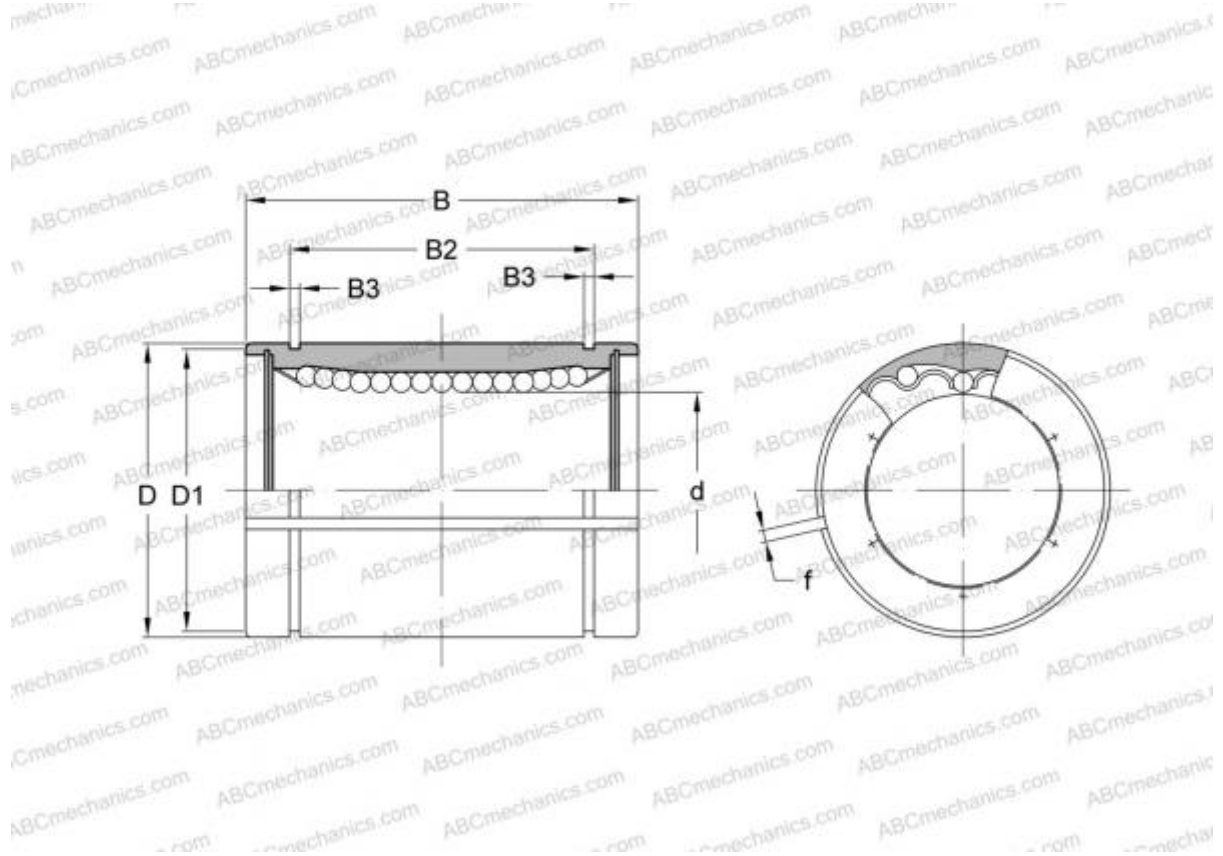


LMB 122026 AJ ABC

Linear bushing

TYPE: Shaft guidance systems, Linear bushing, Standard, Adjustable type, Type LMB..(N) AJ, inch



Technical specification

DIMENSIONS, MM

d	19,050
D	31,750
B	41,275
f	1,500

WEIGHT, KG 0,096

MANUFACTURER [ABC](#)

INTERCHANGE

IKO	LMB 122026 AJ
THOMSON	ADJ- 1 22026