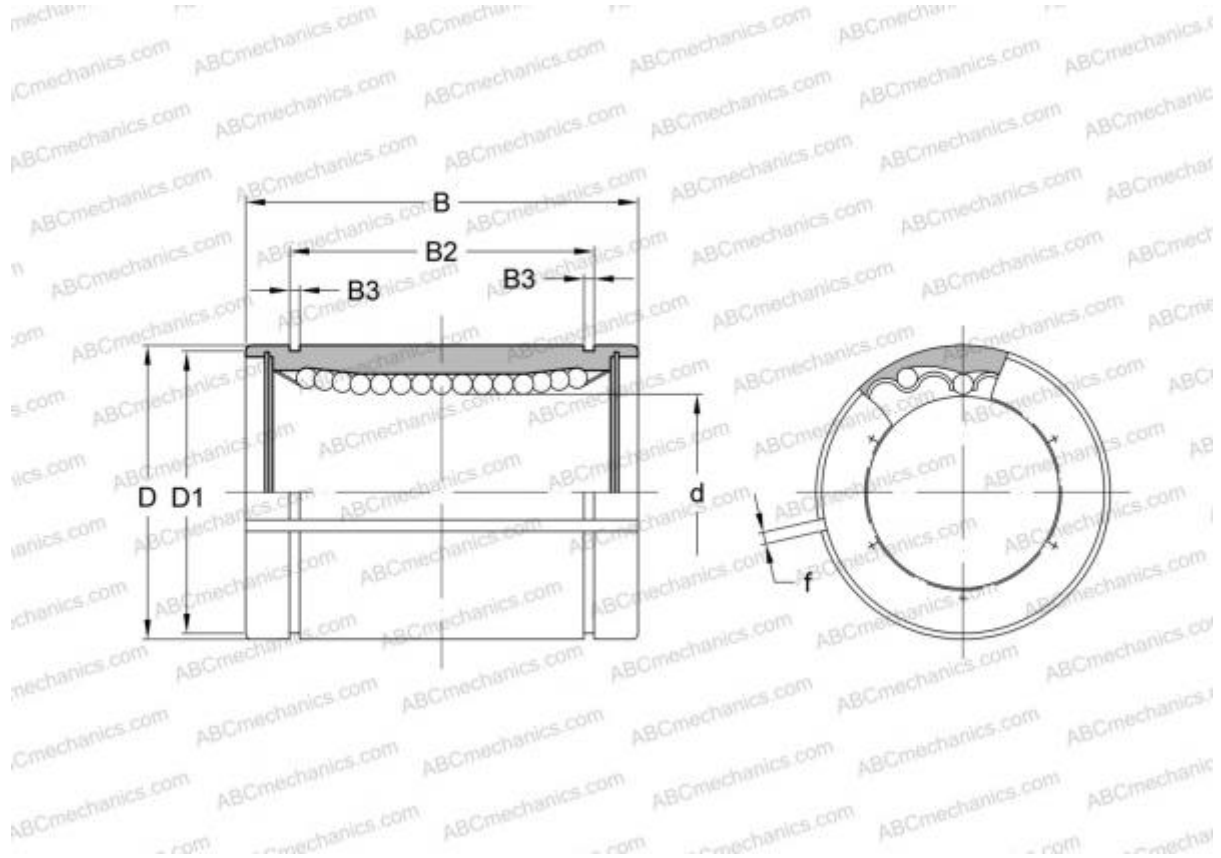


LMB 122026 AJ IKO

Linear bushing

TYPE: Shaft guidance systems, Linear bushing, Standard, Adjustable type, Type LMB..(N) AJ, inch



Technical specification

DIMENSIONS, MM

d	19,050
D	31,750
B	41,275
f	1,500

WEIGHT, KG 0,096

MANUFACTURER [IKO](#)

INTERCHANGE

ABC	LMB 122026 AJ
THOMSON	ADJ- 1 22026

CALCULATION DATA

Basic dynamic load rating min	0,554 kN
Basic dynamic load rating max	0,659 kN
Basic static load rating min	1,000 kN

CALCULATION DATA

Basic static load rating max	1,470 kN
------------------------------	----------