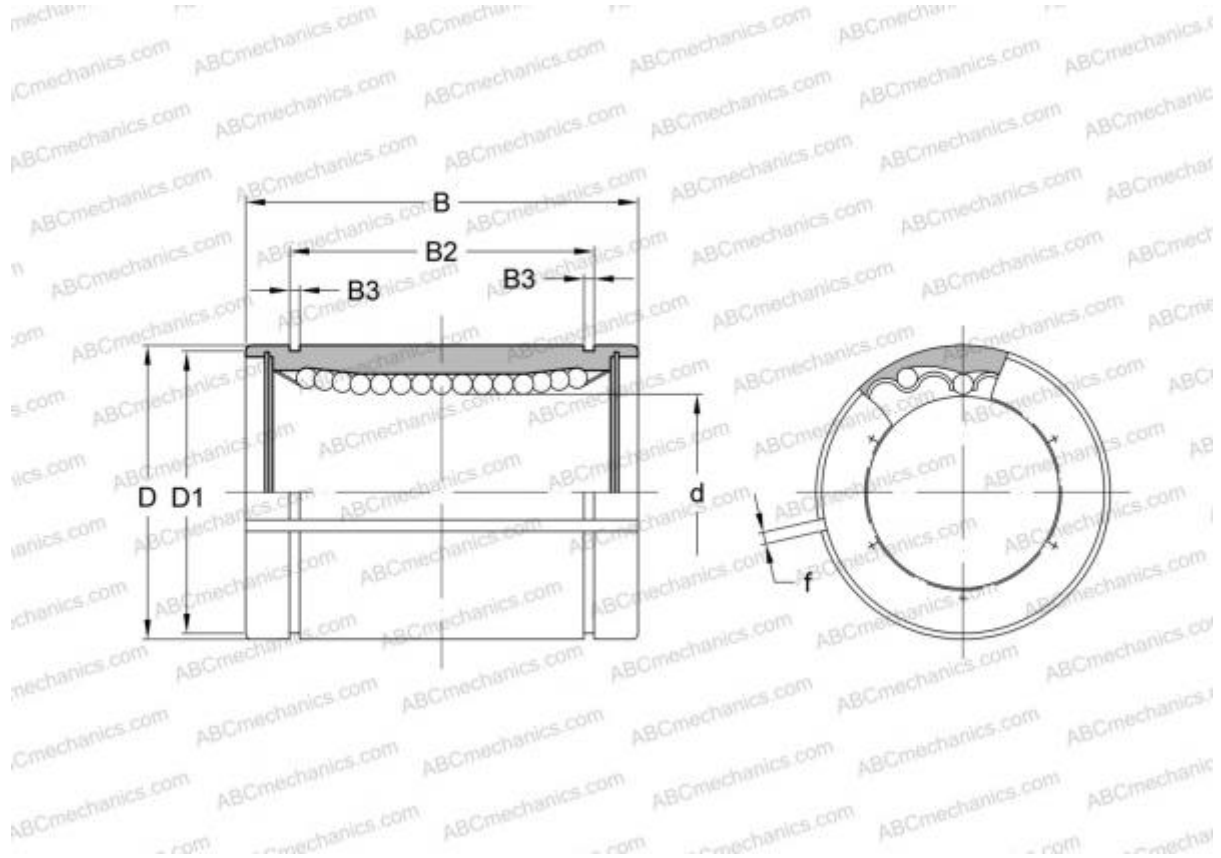


## LMB 162536 AJ IKO

Linear bushing

TYPE: Shaft guidance systems, Linear bushing, Standard, Adjustable type, Type LMB..(N) AJ, inch



### Technical specification

#### DIMENSIONS, MM

d	25,400
D	39,688
B	57,150
f	1,500

**WEIGHT, KG** 0,218

**MANUFACTURER** [IKO](#)

#### INTERCHANGE

ABC	<a href="#">LMB 162536 AJ</a>
THOMSON	<a href="#">ADJ-162536</a>

#### CALCULATION DATA

Basic dynamic load rating min	0,923 kN
Basic dynamic load rating max	0,978 kN
Basic static load rating min	1,780 kN

#### CALCULATION DATA

Basic static load rating max	2,280 kN
------------------------------	----------