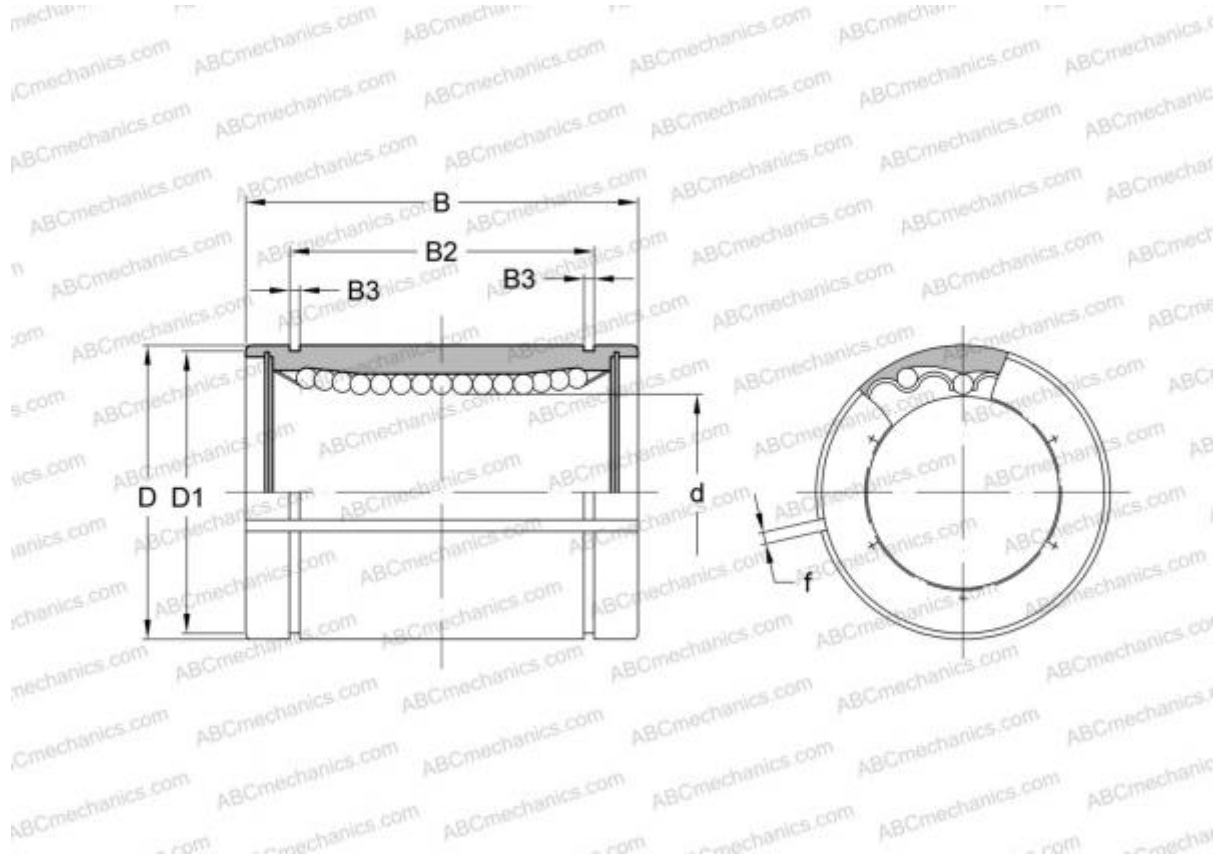


ADJ-162536 THOMSON

Linear bushing

TYPE: Shaft guidance systems, Linear bushing, Standard, Adjustable type, Type LMB..(N) AJ, inch



Technical specification

DIMENSIONS, MM

d	25,400
D	39,688
B	57,150
f	1,500

WEIGHT, KG 0,218

MANUFACTURER [THOMSON](#)

INTERCHANGE

ABC	LMB 162536 AJ
IKO	LMB 162536 AJ