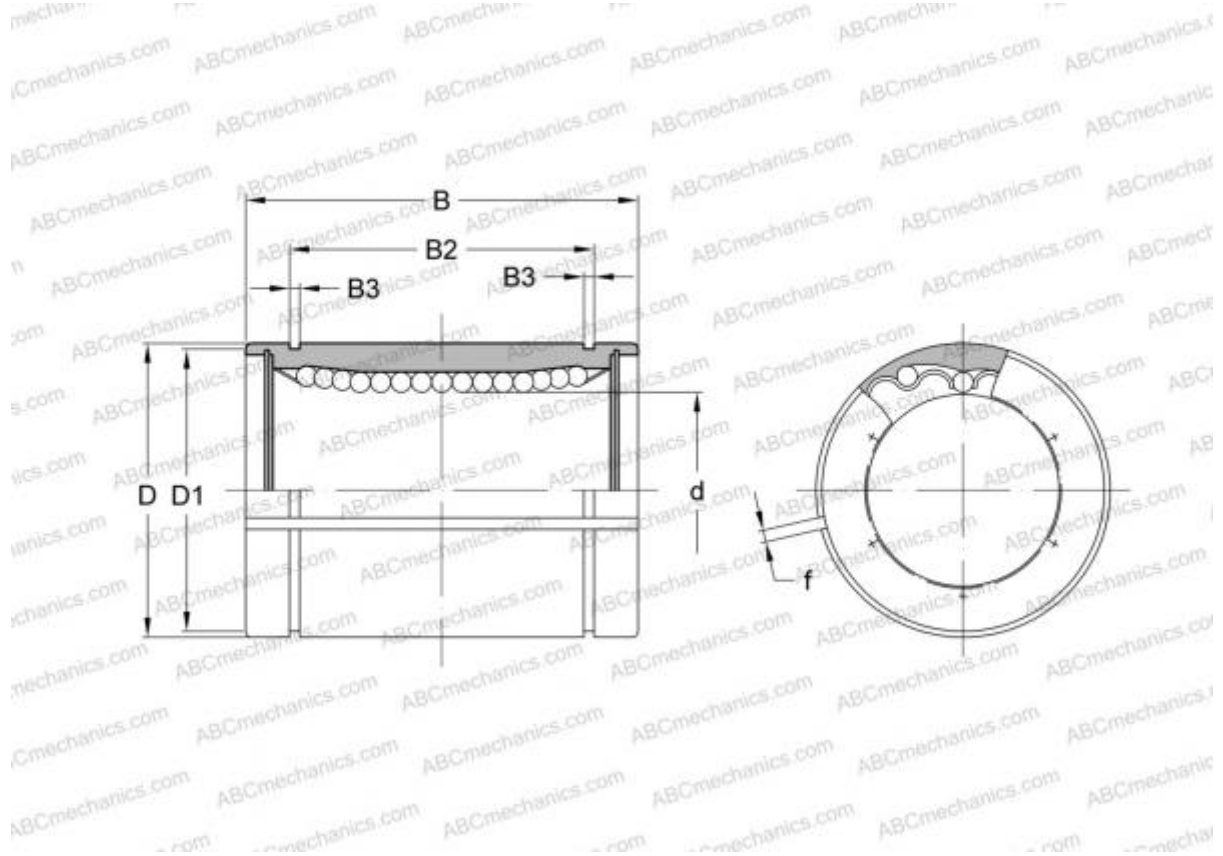


## LMB 203242 AJ ABC

Linear bushing

TYPE: Shaft guidance systems, Linear bushing, Standard, Adjustable type, Type LMB..(N) AJ, inch



### Technical specification

#### DIMENSIONS, MM

d	31,750
D	50,800
B	66,675
f	2,500

**WEIGHT, KG** 0,485

**MANUFACTURER** [ABC](#)

#### INTERCHANGE

IKO	<a href="#">LMB 203242 AJ</a>
THOMSON	<a href="#">ADJ-203242</a>