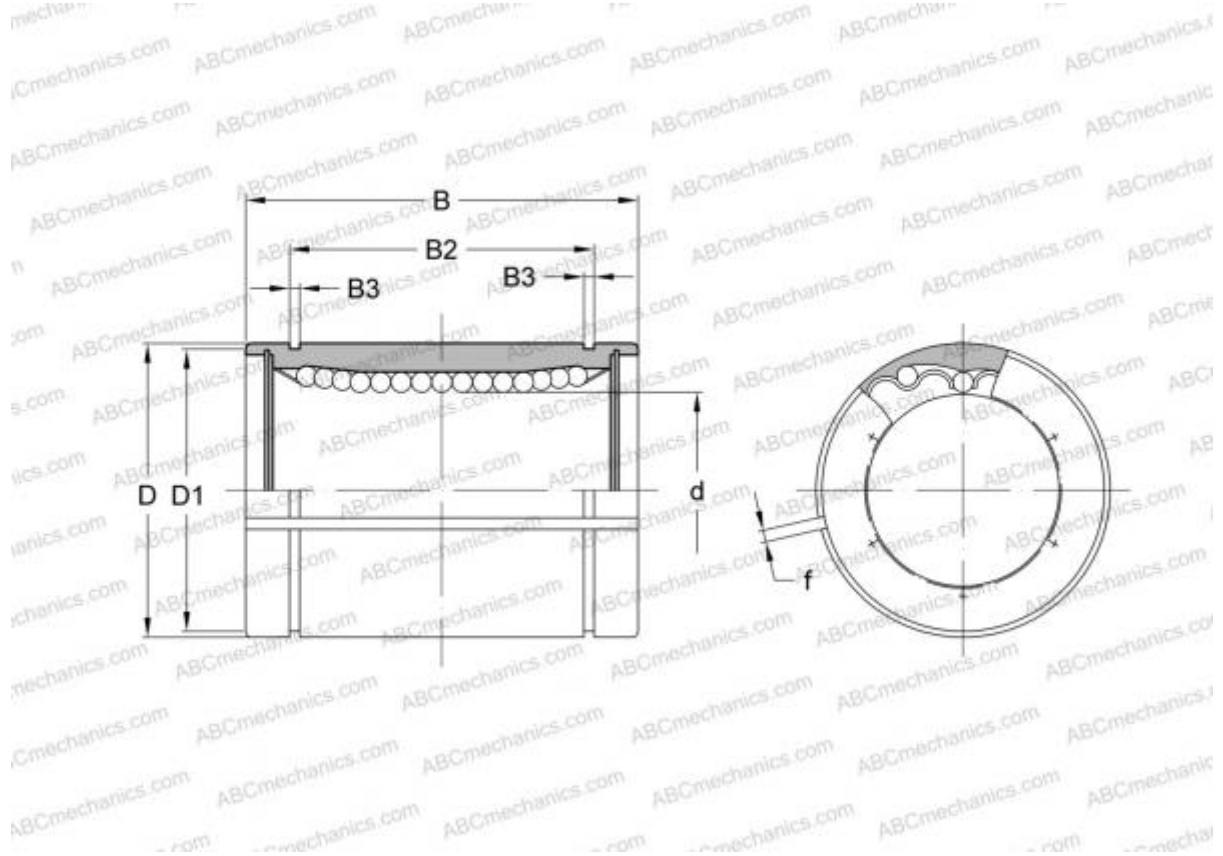


ADJ-1500 HEIM

Linear bushing

TYPE: Shaft guidance systems, Linear bushing, Standard, Adjustable type, Type LMB..(N) AJ, inch



Technical specification

DIMENSIONS, MM

d	38,100
D	60,325
B	76,200
f	3,000

WEIGHT, KG 0,660

MANUFACTURER [HEIM](#)

INTERCHANGE

ABC	LMB 243848 N AJ
IKO	LMB 243848 N AJ