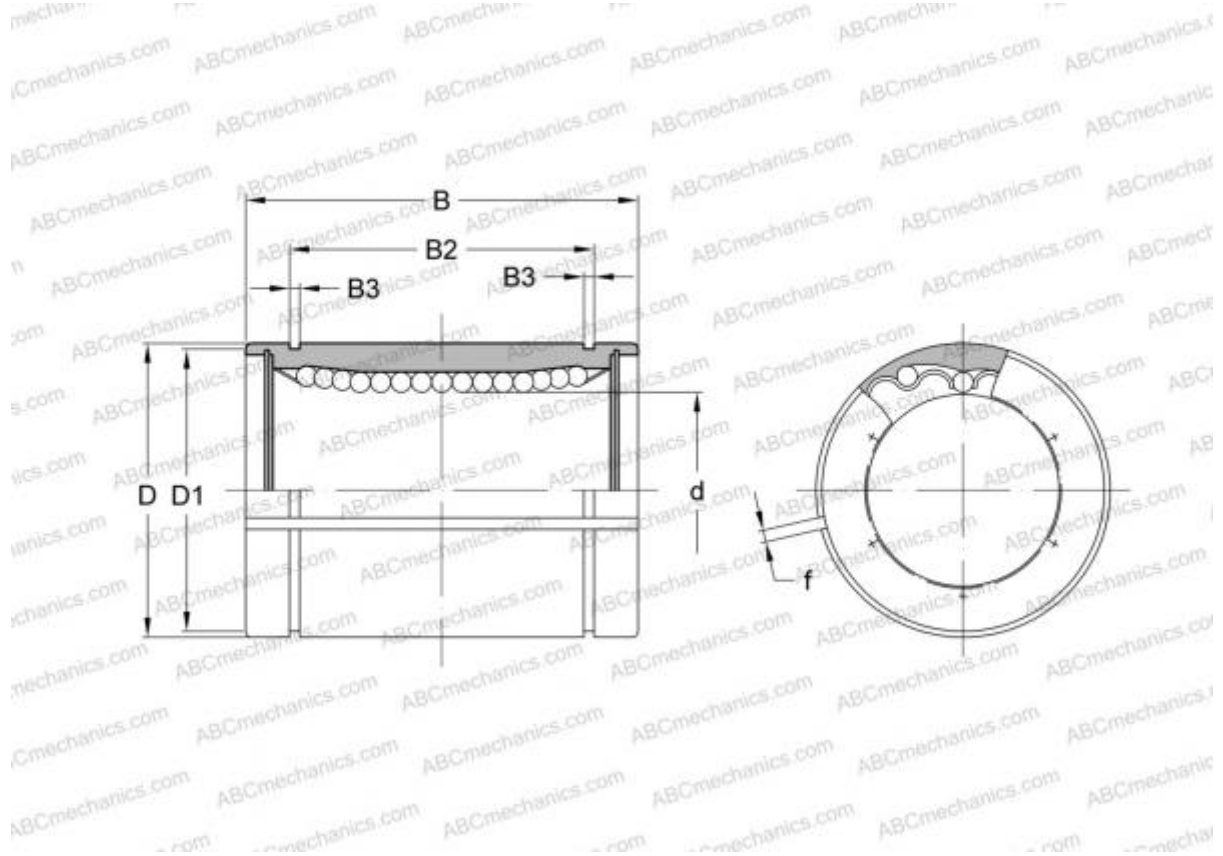


LMB 324864 AJ ABC

Linear bushing

TYPE: Shaft guidance systems, Linear bushing, Standard, Adjustable type, Type LMB..(N) AJ, inch



Technical specification

DIMENSIONS, MM

d	50,800
D	76,200
B	101,600
f	3,000

WEIGHT, KG 1,510

MANUFACTURER [ABC](#)

INTERCHANGE

IKO	LMB 324864 AJ
THOMSON	ADJ-324864