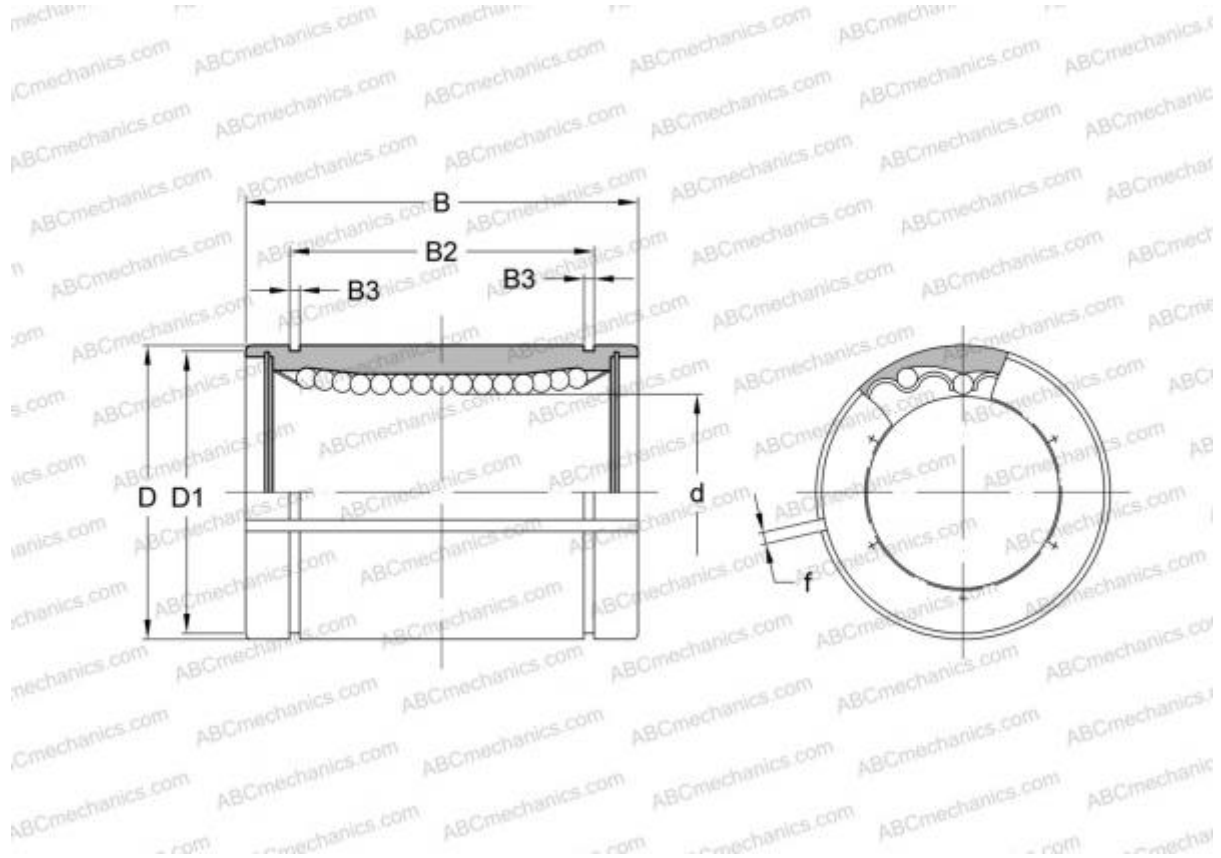


LMB 324864 N AJ IKO

Linear bushing

TYPE: Shaft guidance systems, Linear bushing, Standard, Adjustable type, Type LMB..(N) AJ, inch



Technical specification

DIMENSIONS, MM

d	50,800
D	76,200
B	101,600
f	3,000

WEIGHT, KG 1,120

MANUFACTURER [IKO](#)

INTERCHANGE

ABC	LMB 324864 N AJ
HEIM	ADJ-2000

CALCULATION DATA

Basic dynamic load rating min	3,960 kN
Basic dynamic load rating max	4,190 kN
Basic static load rating min	7,140 kN

CALCULATION DATA

Basic static load rating max	9,130 kN
------------------------------	----------