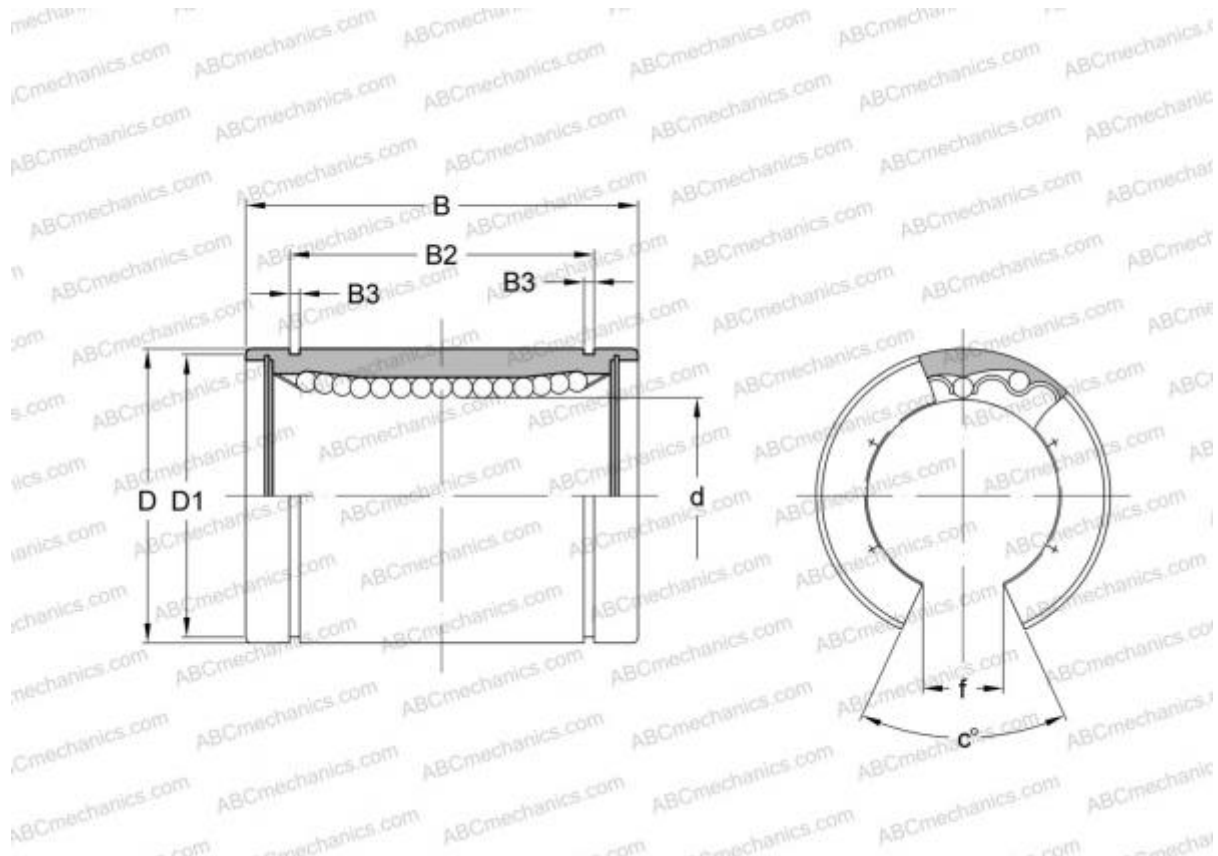


## LMB 101824 OP ABC

Linear bushing

TYPE: Shaft guidance systems, Linear bushing, Standard, Open type for support rail, Type LMB..(N) OP, inch



### Technical specification

#### DIMENSIONS, MM

d	15,875
D	28,575
B	38,100
f	9,500
c	80,000

**WEIGHT, KG** 0,064

**MANUFACTURER** [ABC](#)

#### INTERCHANGE

IKO	<a href="#">LMB 101824 OP</a>
THOMSON	<a href="#">OPN-101824</a>
SCHNEEBERGER	<a href="#">OUV 101824</a>