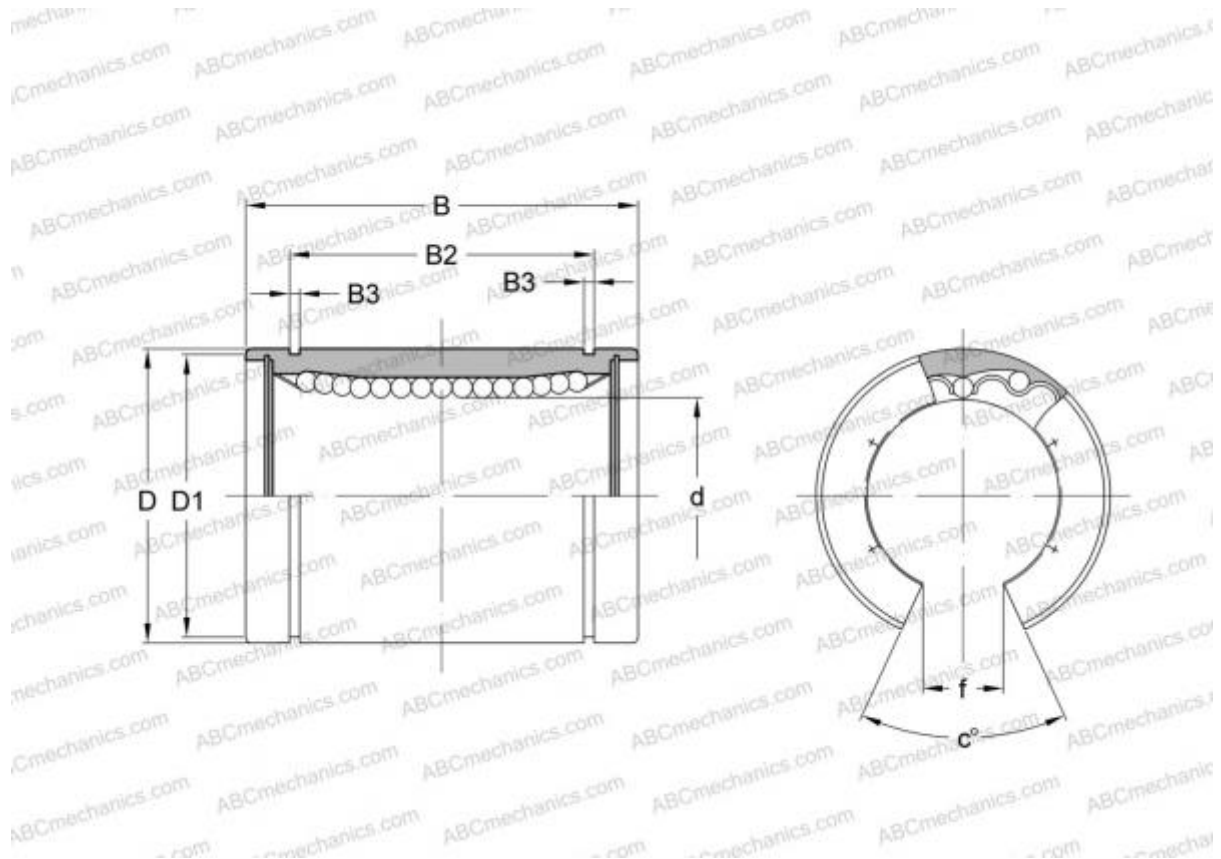


LMB 101824 OP IKO

Linear bushing

TYPE: Shaft guidance systems, Linear bushing, Standard, Open type for support rail, Type LMB..(N) OP, inch



Technical specification

DIMENSIONS, MM

d	15,875
D	28,575
B	38,100
f	9,500
c	80

WEIGHT, KG 0,064

MANUFACTURER [IKO](#)

INTERCHANGE

ABC	LMB 101824 OP
THOMSON	OPN-101824
SCHNEEBERGER	OUV 101824

CALCULATION DATA

Basic dynamic load rating min	0,424 kN
-------------------------------	----------

CALCULATION DATA

Basic dynamic load rating max	0,488 kN
Basic static load rating min	0,766 kN
Basic static load rating max	1,080 kN