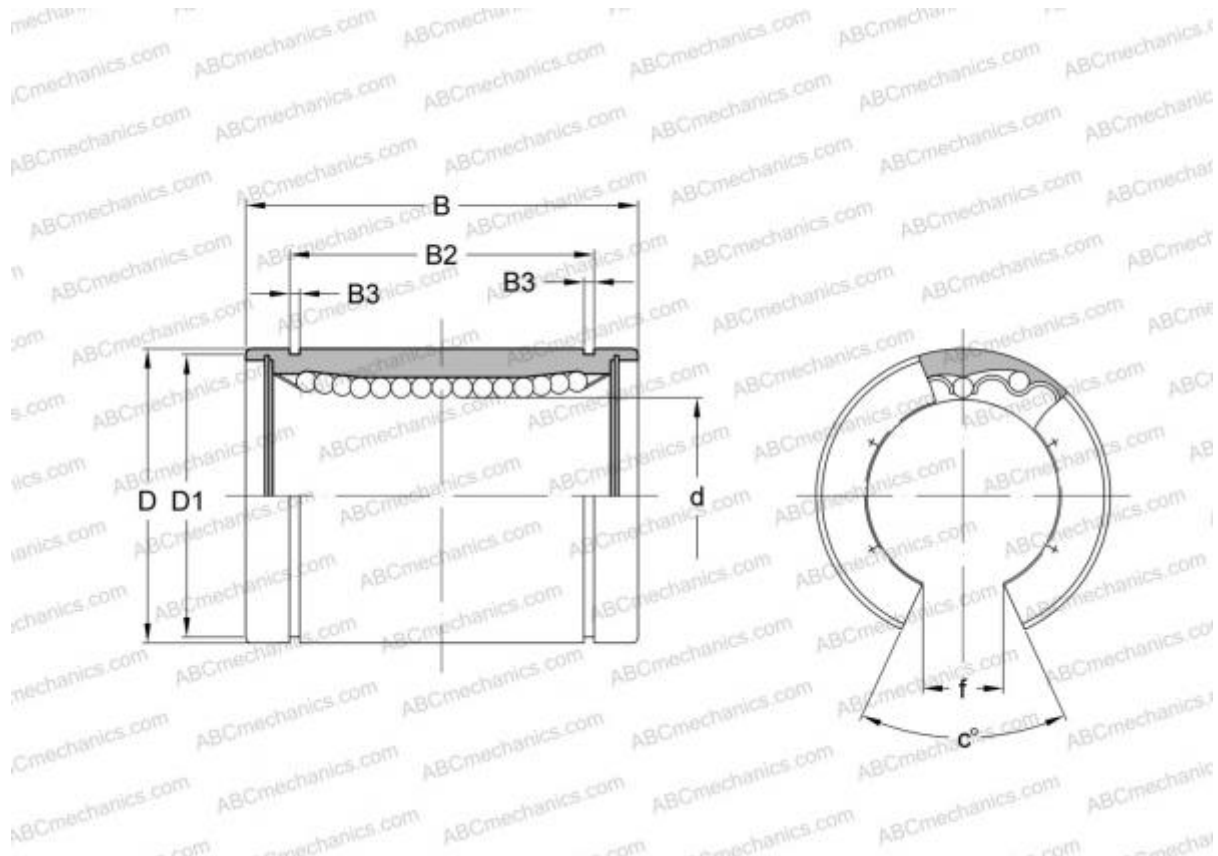


## OUV 101824 SCHNEEBERGER

Linear bushing

TYPE: Shaft guidance systems, Linear bushing, Standard, Open type for support rail, Type LMB..(N) OP, inch



### Technical specification

#### DIMENSIONS, MM

d	15,875
D	28,575
B	38,100
f	9,500
c	80,000

**WEIGHT, KG** 0,064

**MANUFACTURER** [SCHNEEBERGER](#)

#### INTERCHANGE

ABC	<a href="#">LMB 101824 OP</a>
IKO	<a href="#">LMB 101824 OP</a>
THOMSON	<a href="#">OPN-101824</a>