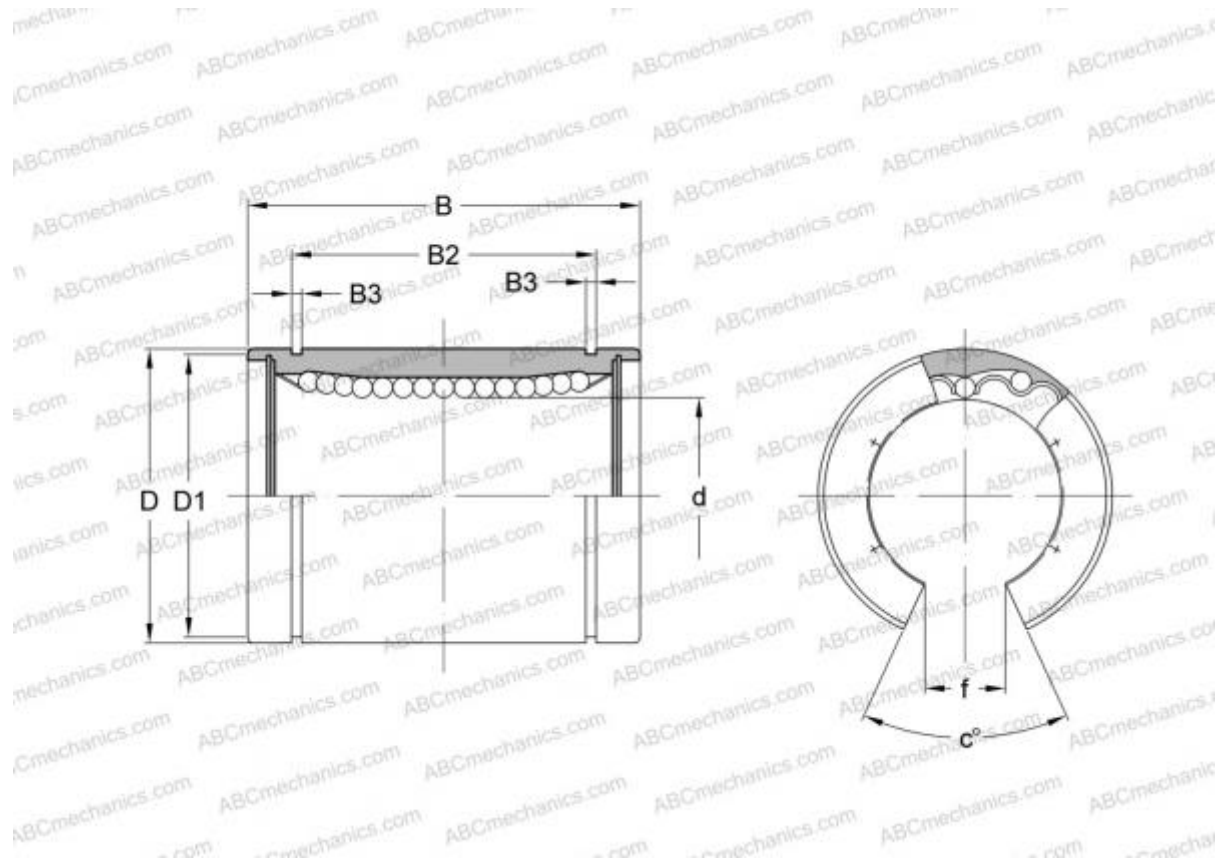


## LMB 122026 N OP IKO

Linear bushing

TYPE: Shaft guidance systems, Linear bushing, Standard, Open type for support rail, Type LMB..(N) OP, inch



### Technical specification

#### DIMENSIONS, MM

d	19,050
D	31,750
B	41,275
f	10,700
c	60,000

**WEIGHT, KG** 0,076

**MANUFACTURER** [IKO](#)

#### INTERCHANGE

ABC	<a href="#">LMB 122026 N OP</a>
HEIM	<a href="#">OPN-750</a>

#### CALCULATION DATA

Basic dynamic load rating min	0,554 kN
Basic dynamic load rating max	0,659 kN

#### CALCULATION DATA

Basic static load rating min	1,000 kN
Basic static load rating max	1,470 kN