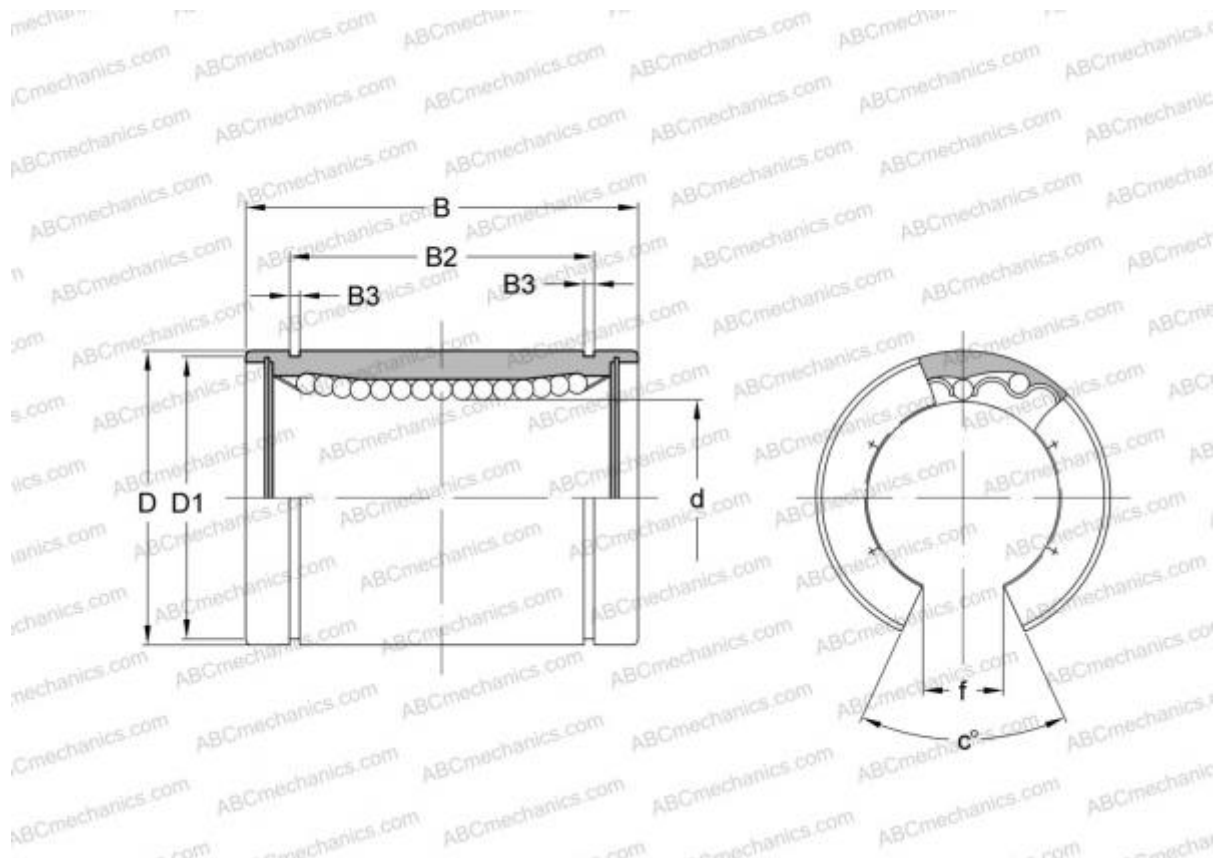


LMB 162536 N OP ABC

Linear bushing

TYPE: Shaft guidance systems, Linear bushing, Standard, Open type for support rail, Type LMB..(N) OP, inch



Technical specification

DIMENSIONS, MM

d	25,400
D	39,688
B	57,150
f	11,800
c	50,000

WEIGHT, KG 0,170

MANUFACTURER [ABC](#)

INTERCHANGE

IKO	LMB 162536 N OP
HEIM	OPN-1000